

AN ROINN OIDEACHAIS
(Department of Education).

LEAVING CERTIFICATE EXAMINATION, 1948.

MECHANICAL DRAWING AND DESIGN.
COURSE B—PASS—BOYS AND GIRLS.

THURSDAY, 24th JUNE.—MORNING, 10 TO 12.

NOTE—The use of mathematical instruments, protractors, scales, T. and set squares, and drawing-boards is allowed.

The number of the question must be distinctly marked by the side of each answer. Both sides of the paper may be used.

Questions marked (*) have accompanying diagrams.

ONLY THREE questions to be attempted, not more than two of which are to be taken from Section A or Section B.

All questions carry equal marks.

100 marks allotted to this Paper.

SECTION A.

(The questions in this Section must be solved accurately with the aid of drawing instruments. All lines used in construction should be clearly shown.)

*1. Draw the diagram to the dimensions given and within it draw in suitable proportions the words "SNIASÁIN BRÓIS" in Gaelic letters, or the words "BOOT POLISH" in Roman letters.

*2. The diagram shows the plan and elevation of a clock. Draw a new elevation of the clock on a vertical plane represented in plan by X' Y'.

*3. Copy the ornament shown on the diagram full-size, according to the dimensions indicated.

*4. An ornamental symbol for embroidery is shown on the diagram. Make full-size, a properly-constructed drawing of the diagram, using the dimensions given.

*5. An ornamental border is shown on the diagram. Draw two repeats of the border according to the figured dimensions.

SECTION B.

6. Draw a design for a Poster or Showcard to advertise "Toys." The design is to be rectangular in shape, 4 inches by 6 inches (vertical). Not more than four colours may be used.

(Colour MAY be used in answering this question.)

7. Make a design suitable for a Bookmark. Your design should be rectangular in shape, 7 inches by 2 inches.

(Colour MAY be used in answering this question.)

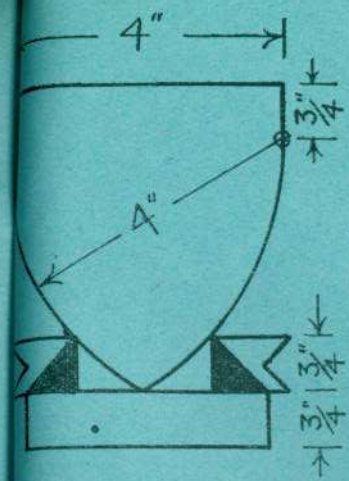
8. Draw a design for the lid of an oblong box for Toilet Soap. The design is to occupy a rectangle $5\frac{1}{2}$ inches long, by 3 inches wide.

Two colours may be used, or the design may be completed in Black and White.

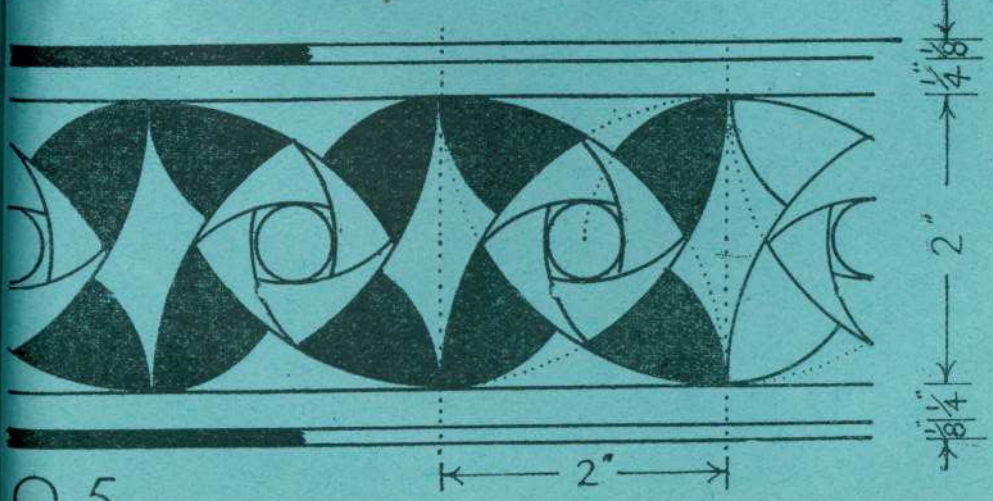
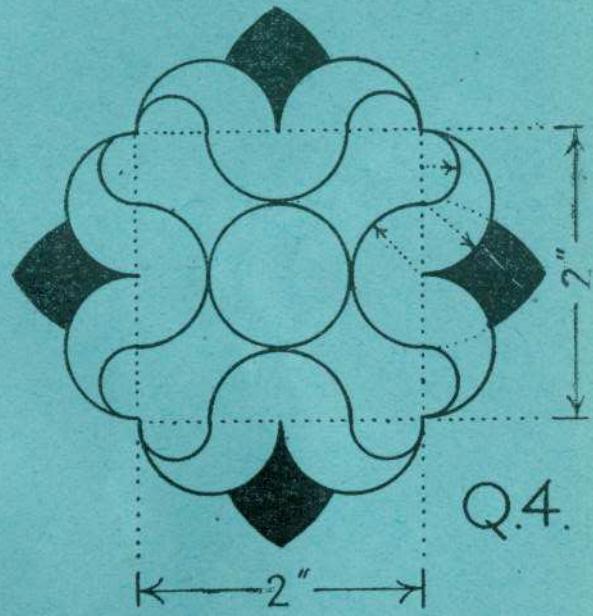
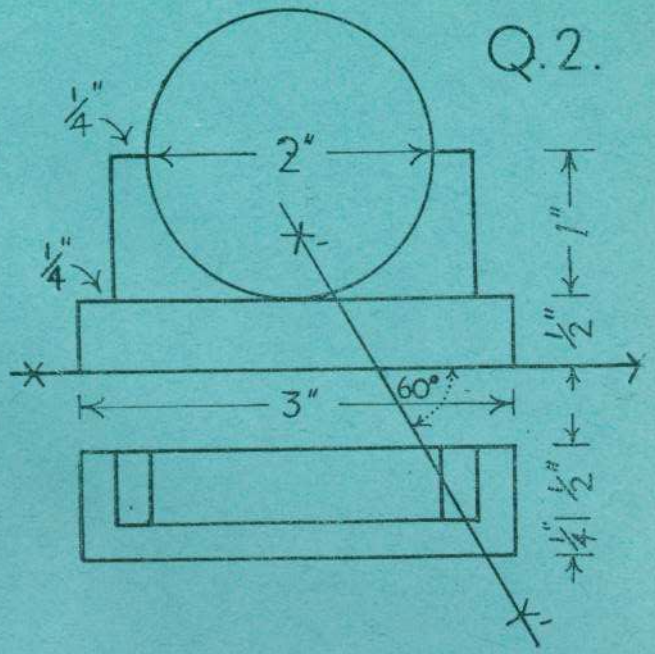
9. Draw a design for the lid of an octagonal biscuit-tin, to occupy a regular octagon of 2 inches side.

The design may be composed of Celtic, Floral, or Geometric ornament.

Two colours may be used, or the design may be completed in Black and White.



Q.1.



Q.5.