



Coimisiún na Scrúduithe Stáit
State Examinations Commission

Junior Certificate Examination 2008

Technical Graphics

Higher Level

Section B

(280 marks)

Monday, 16 June

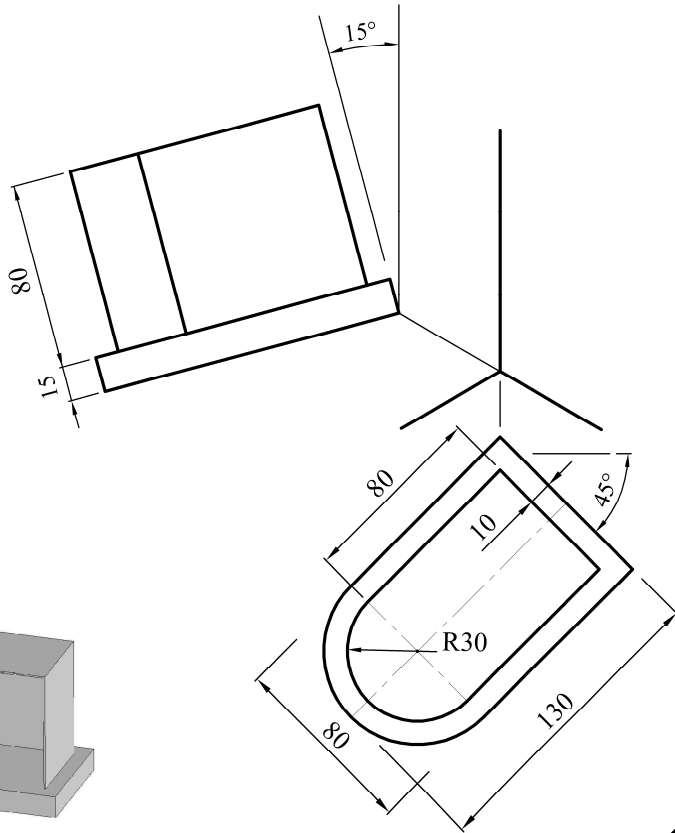
Morning 9:30 - 12:30

Instructions

- (a) Answer **any four** questions. All questions carry equal marks.*
- (b) The number of the question must be distinctly marked by the side of each answer.*
- (c) Work on **one side** of the answer paper only.*
- (d) Write your examination number on each sheet of paper used.*

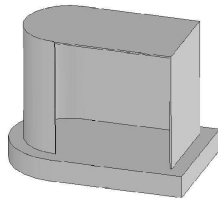
3. Shown are the axonometric axes for the isometric projection of a bus shelter. Also shown is a pictorial view of the bus shelter.

- (a)
- (i) Draw the axonometric axes as shown.
 - (ii) Draw the plan orientated at 45° as shown.
 - (iii) Draw the elevation orientated at 15° as shown.
 - (iv) Draw the completed axonometric projection of the bus shelter.



OR

- (b) Draw the completed isometric projection of the bus shelter using the isometric scale method.



4.

The figure shows the elevation and incomplete plan of three solids in mutual contact.

A pictorial view of the solids is also shown.

- (a) Draw the completed plan and elevation, showing clearly how to locate the centre of the hemisphere in plan. Show all points and lines of contact.
- (b) Draw the development of the surface A of the truncated cylinder.

