

AN ROINN OIDEACHAIS
(Department of Education).

INTERMEDIATE CERTIFICATE EXAMINATION, 1956.

ART AND DRAWING.

MECHANICAL DRAWING AND DESIGN.

THURSDAY, 14th JUNE.—MORNING, 10 TO 12.

INSTRUCTIONS.

- (a) Candidates may take Section I or Section II, but not both.
- (b) The use of drawing instruments is allowed.
- (c) The number of the question must be distinctly marked by the side of answer.
- (d) Colour MUST be used in Section I.
- (e) Questions marked (*) have accompanying diagrams.

SECTION I.—[100 marks.]

ONE QUESTION ONLY TO BE ATTEMPTED.

*1. Draw a design for the decoration of a tray, of the shape shown in the diagram. The layout of the whole design should be indicated and at least *half* completed in colour. Scale, $\frac{1}{2}$ full size.

*2. Draw a design for a Poster or Showcard, $7\frac{1}{2}'' \times 11''$, using as the principal motif of the design two or more of the objects illustrated on the diagram. Additional features may be added if considered appropriate.

Suitable lettering may be used to indicate the title or announcement. Complete as much of the design as possible in colour.

3. Make a design for a Cover $10'' \times 8''$, suitable for a book on *one* of the following subjects:—

- (a) Trees, or
- (b) Irish Castles, or
- (c) Holiday Fun.

Complete in colour as much as possible of the design.

4. Make a design suitable for printing on a Cotton Handkerchief, $10''$ square, using as the principal motif of the design a "Boat," or a "Bird," or a "Castle," or a "Butterfly," or any other feature of equal interest. Complete as much of the design as possible in colour.

SECTION II.—[100 marks.]

THREE QUESTIONS ONLY TO BE ATTEMPTED.

[All questions carry equal marks.]

1. Draw with pencil, pen, or brush in letters one inch high the word "QUARTERLY," or the word "QUARTERLY."

*2. Copy the pattern shown in the diagram to the dimensions indicated.

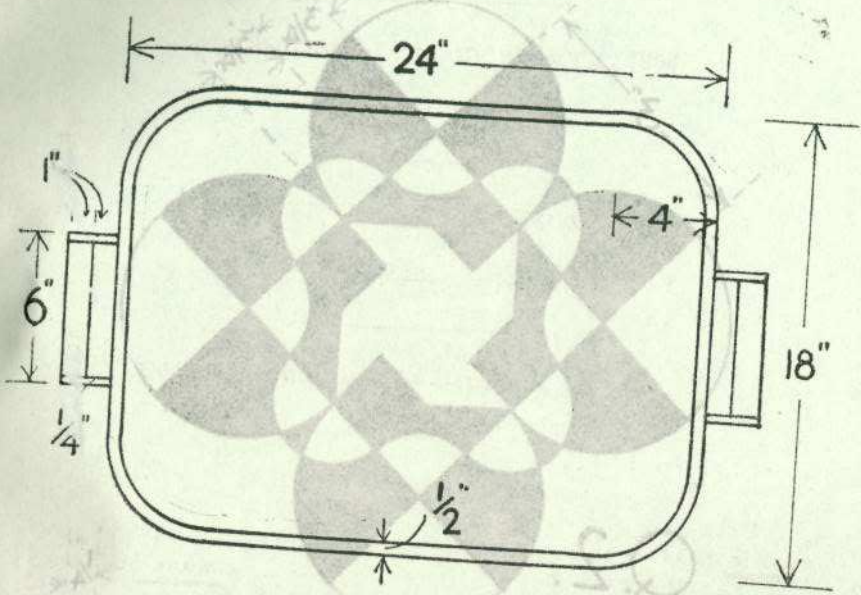
*3. A drawing is shown of a Tool-Box. Draw full size to the dimensions indicated, a plan and elevation.

*4. Draw a design to fill the shape shown in the diagram. Any style of ornament may be used, and the design may be completed in two or three colours, or in black and white.

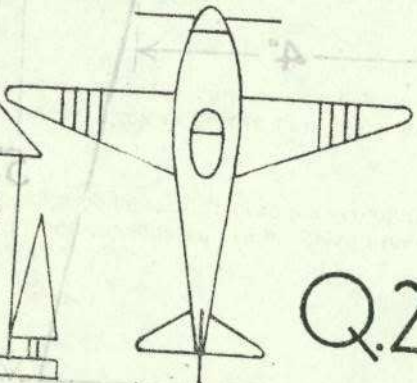
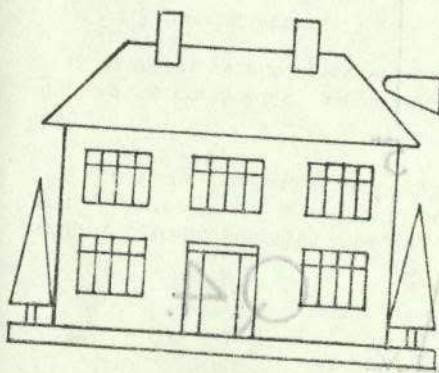
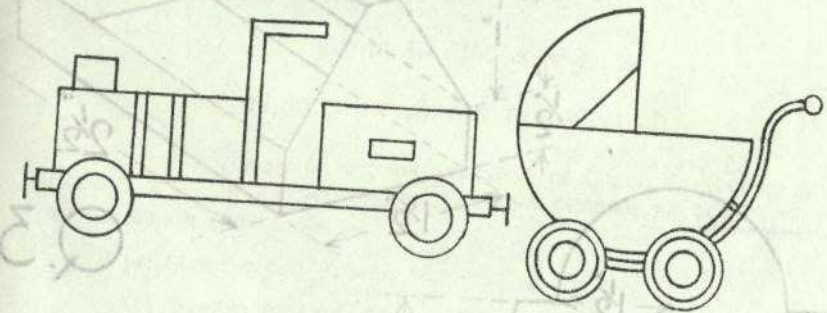
5. Design a repeating border, 3" wide, based on circles and triangles. Complete three repeats. Colour MAY be used in answering this question.

SECTION I

SECTION I



Q.1



Q.2.

ROINN II

SECTION II

