

AN ROINN OIDEACHAIS.
(Department of Education).

BRAINNSE AN MHEADHON-OIDEACHAIS
(Secondary Education Branch).

INTERMEDIATE CERTIFICATE EXAMINATION, 1938.

**MECHANICAL DRAWING
AND DESIGN.**

WEDNESDAY, 22nd JUNE.—AFTERNOON 4 TO 6 P.M.

NOTE.—The use of mathematical instruments, protractors, scales, T- and set-squares, and drawing-boards is allowed.

All construction lines must be clearly shown.

The number of the question must be distinctly marked by the side of each answer ; both sides of the paper may be used.

Questions marked (*) have accompanying diagrams.

The number of marks assigned to each question is stated in brackets after the question.

Q. 1. Draw with pencil, pen or brush, in Gaelic letters one inch high the word **SORM**.

Or,

In Roman letters one inch high the word **BLUE**. [8]

*Q. 2. Draw, using instruments, the glazed door shown in the diagram. The height **A, B**, to be 4 inches and all other measurements in proportion. [10]

*Q. 3. Draw with instruments the construction necessary in setting out the repeating pattern shown in the diagram.

Complete at least **HALF** of the diagram. [10]

*Q. 4. Draw the given fan-light grille to the dimensions indicated. [11]

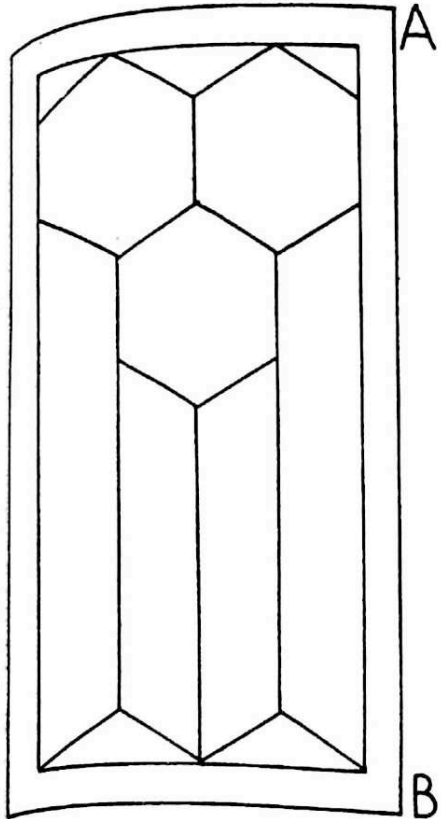
*Q. 5. A perspective drawing is given of a door-handle. Draw full-size to the dimensions shown, a plan and elevation. [14]

Q. 6. Draw a design to occupy a semicircle of $5\frac{1}{2}$ inches diameter. You may select any style of ornament, and finish the design in black and white, or in two colours.

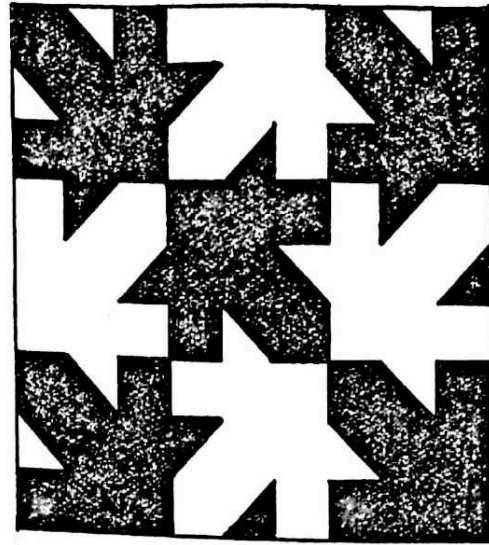
Or,

Draw a design for a repeating border 2 inches wide. Complete one repeat and show the main lines of adjacent repeats.

The design must be Celtic or Floral in treatment. Two tones of one colour may be used, or the design may be finished in black and white. [22]

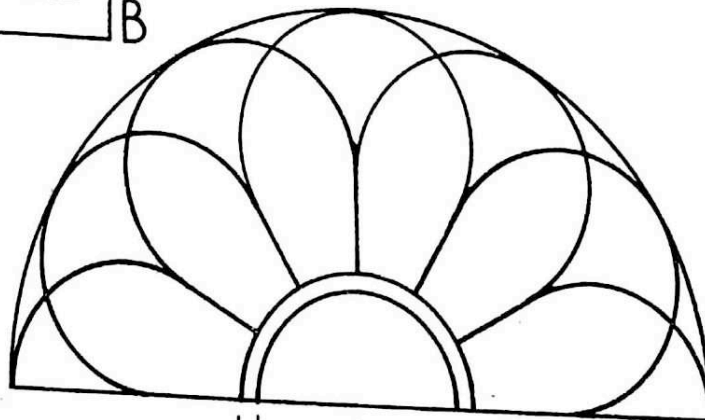


Q.2.



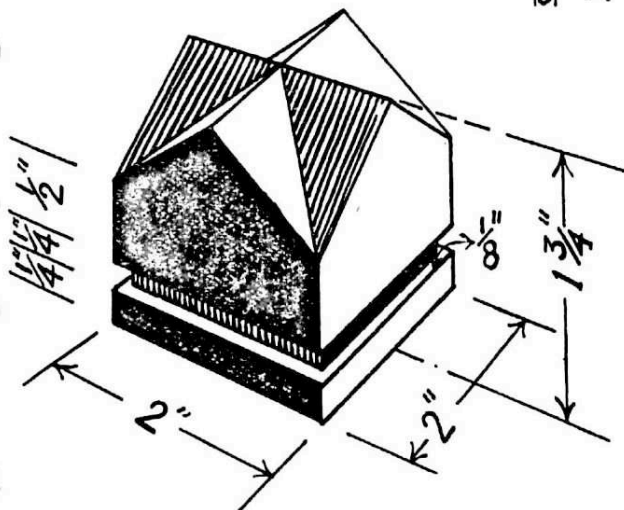
1"

Q.3.



$\frac{1}{8}$ $\frac{3}{4}$ 2"

Q.4



Q.5.