

AN ROINN OIDEACHAIS

(Department of Education).

BRAINSE AN MHEÁN-OIDEACHAIS

(Secondary Education Branch).

INTERMEDIATE CERTIFICATE EXAMINATION, 1929.

MECHANICAL DRAWING
AND DESIGN.

WEDNESDAY, 19th JUNE.

AFTERNOON, 4 to 6 P.M.

Note.—The use of mathematical instruments, protractors, scales, T- and set-squares, and drawing-boards is allowed.

All construction lines must be clearly shown.

The number of the question must be distinctly marked by the side of each answer; both sides of the paper may be used.

Questions marked (*) have accompanying diagrams.

The number of marks assigned to each question is stated in brackets after the question.

Q. 1. Draw with pencil, pen or brush in Roman letters $\frac{1}{2}$ inch high, the word **BARD**. Enlarge the initial letter to one inch in height.

Or :—

In Gaelic letters $\frac{1}{2}$ inch high, the word **BÁRD**. Enlarge the initial letter to one inch in height. [10]

*Q. 2. The plan is given of two Cubes, the smaller resting on the larger. Draw an elevation on XY and a section on EF. The part in section should be lightly shaded. [14]

*Q. 3. Draw the Tin Measure shown in diagram according to the figured dimensions. [12]

*Q. 4. Copy the given pattern to the dimensions shown. [12]

*Q. 5. The front and end elevations of a Kitchen Table are given. Draw the front elevation and plan, and show the cylindrical jar A which rests centrally on the table and also the basin which is in contact with it. Scale $\frac{3}{4}$ inch to 1 foot.

An ordinary divided rule may be used as a Scale.

[20]

Q. 6. Draw a design to occupy a regular hexagon of $2\frac{1}{2}$ inch side.

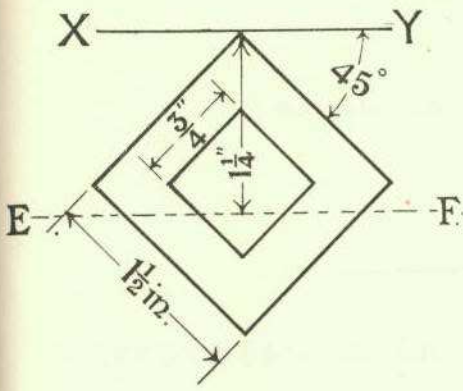
The design may be composed entirely of geometric forms, or of geometric and free-drawn forms combined, or entirely of free forms. The design may be in two tones of one colour or in black and white. [32]

Or :—

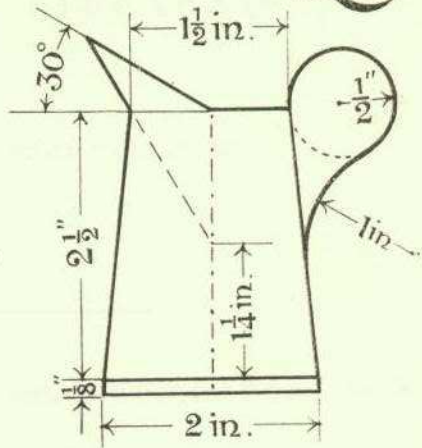
Draw a design to suit a semi-circle of seven inches diameter. The design may be based on Celtic ornament or on natural forms ornamentally treated.

Two tones of one colour may be used, or the design may be finished in black and white. [32]

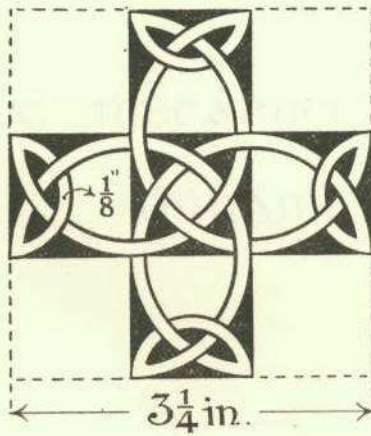
Q 2.



Q 3.



Q 4.



Q 5.

