

AN ROINN OIDEACAIS

LEAVING CERTIFICATE EXAMINATION, 1962.

ART AND DRAWING.

MECHANICAL DRAWING AND DESIGN.

PASS

FRIDAY, 15th JUNE.—Afternoon, 2.30 to 4.30.

INSTRUCTIONS.

- Candidates may take Section I or Section II but not both.
- The use of drawing instruments and tracing paper is allowed. Materials such as potatoes, corks, sponges, rags, pieces of cardboard, may also be used.
- The number of the question must be distinctly marked by the side of the answer.
- Questions marked (*) have accompanying diagrams.

SECTION I.—(100 marks.)

ONE QUESTION ONLY TO BE ATTEMPTED.

- Design a poster for ONE of the following:—
(a) Winter Sports, (b) a Swimming Gala, or, (c) The Circus. Work as large as possible and include appropriate lettering.
- Design a Menu Card cover 10" × 7" for a restaurant specialising in wines and sea-food. The word "MENU" should be included in the design.
- Draw neatly, with lettering pens, the title and first two verses of any poem you know. The lettering should be drawn with black ink, a second colour may however be used for the title.

4. Design a new flag for your own school. Make the design strong and colourful. Lettering need not be included in the design. Size 12" × 8½".

5. Design an all-over pattern for a Bathroom curtain. Your design should be suitable for printing by lino, potato, or other blocks. Complete a sample of not less than 12" square.

SECTION II.—(100 marks.)

THREE QUESTIONS ONLY TO BE ATTEMPTED.

(All questions carry equal marks.)

*1. Draw the anvil to the dimensions given. Show all necessary construction lines.

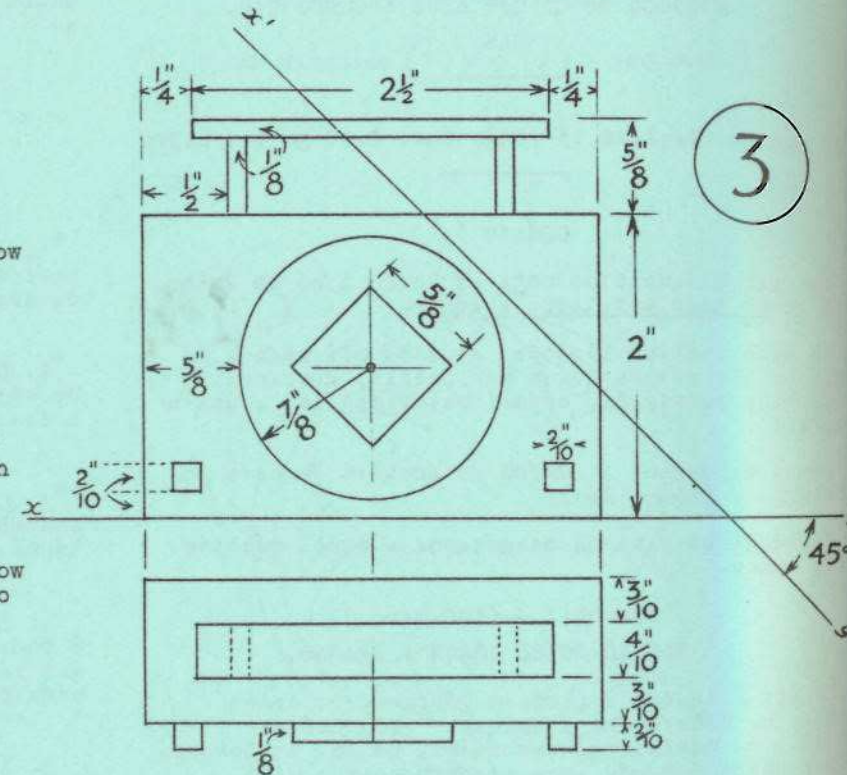
*2. Draw the pattern shown to the dimensions given. Show clearly the method of construction.

*3. The diagram shows the plan and elevation of a portable radio. Draw full size a new elevation on X' Y'.

4. Construct a scale of 1 inch to 1 foot to show feet and inches and read 6 feet. The scale is to be neatly lettered and numbered.

5. Design a repeating border 1" wide based on geometric ornament, for the lid of a pencil box 7" long and semi-circular at both ends. (Radius of semi-circles = 2".) Complete as much as possible.

(For diagrams (1) and (2), see over.)



AN ROINN OIDEACAIS

SCRÚDÚ ARDTEICHTOMÉIREACHTA, 1962.

EALAIN ASUS LÍNEOCT.

LÍNEOCT MHEICHTOINÚN ASUS SRÉASÓDÓIRIÚ.

PAS.

é hAoine, Mheiteamh 15—Craiteóna, 2.30 go dtí 4.30.

COMHAIÚRÍ.

Is cead d'iarraidóirí tosa as Roinn I nó as Roinn I aó ní cead tosa astu araon.

Is cead uirlisí líneocta agus rianpáipéar a úsáid. Is féidir líneoir mar prátaí, corcaigh, úscáin, ceirteada, píosaí de chairteáir, a úsáid leis.

Uirlisí na ceiste a scríob go soiléir le hais an treagra a fadhb léi.

Tá léaráidí fada na ceisteanna a bfuil réiltín (*) rompu.

ROINN I.—(100 marc.)

San aó ceist amháin a dhéanamh.

1. Sréas a dhéanamh i gcomhair póstaer do bean de na hábair seo a leanas:— (a) Spóirt mairbh, (b) Mórtaispeánas Sháma, nó (c) An Sorcas. D'fhéadfadh an sréas do mhór agus is féidir agus bíodh líneocta oiriúnach a gá a hain.

2. Sréas a dhéanamh i gcomhair clúdach biacláir 7" x 7" do bhroinnteadh ar b'fad fionta agus biaigha a na hábair speisialta a hain. Bíodh an focal "ACCLÁR" a gá sa sréas.

3. Carrainz go héada, le pinn líneocta, an deal agus an déad dá véarsa d'ádh dá dhá ar as a gá. Da dhóir duit an líneocta a carrainz le dúb dúb aó is ceadaíte an dara dá sáid i gcomhair an teidil.

4. Sréas a dhéanamh i gcomhair braic nua do do scoil féin: an sréas a dhéanamh go láidir agus go daiteach. Ní gá líneocta a beic sa sréas. Cothas: 12" x 8 1/2".

5. Sréas a dhéanamh i gcomhair samplaí lomláin do cairteáir Seomra Folcra. Cairteáir do sréas a beic oiriúnach lena éil le blocanna líneóile nó blocanna práta nó blocanna eile. Déan sampla atá 12" ceartach, ar a lár, a dhéan.

ROINN II.—(100 marc.)

San aó trí ceist a dhéanamh.

An marc céanna ar gach ceist.

*1. An iompar a carrainz de réir na dtuairisc atá breacá uirlis. Na línte cógála riadtaigh a taispeáin.

*2. Carrainz an patrún a taispeánar san léaráid de réir na dtuairisc atá breacá a hain. An mod cógála a taispeáin go soiléir.

*3. Taispeánar bonnóil agus a gáibóil de gléas iomparáite raibid sa léaráid. Ingearóil nua ar líneóil a carrainz ar X'Y'.

4. Scála a taispeánfaid i dtróice is orlaí agus 6 tróic le léam a hain a cógáil de réir orlaí in a gáibóil gach tróice. Ní mór an scála beic líneocta is uirlis le sláir.

5. Sréas a carrainz i gcomhair ciumhaise atá samplaí 1" ar leithead, bunáite ar orlaí dhéimseachúil, le ha gáibóil éilúach bosca peann luide 7" ar fad agus é leatáircláir aó a dhá ceann (sa gá leatáircláir = 2"). Ní mór an méid is féidir den sréas a dhéan.

(Féad léaráid 3 tall.)

