

AN ROINN OIDEACHAIS
(Department of Education).

LEAVING CERTIFICATE EXAMINATION, 1957.

ART AND DRAWING.

MECHANICAL DRAWING AND DESIGN
PASS

FRIDAY, 14th JUNE.—MORNING, 10 TO 12.

INSTRUCTIONS.

- (a) Candidates may take Section I or Section II but *not both*.
- (b) The use of drawing instruments is allowed.
- (c) The number of the question must be distinctly marked by the side of the answer.
- (d) Questions marked (*) have accompanying diagrams.
- (e) Colour **MUST** be used in Section I.

SECTION I.—[100 marks.]

ONE QUESTION ONLY TO BE ATTEMPTED.

1. Draw a design for a Poster or Showcard, 9"×12" (vertical) to advertise *one* of the following:—

- (a) Christmas Crackers, or
- (b) Sports goods, or
- (c) Flower seeds.

Suitable lettering may be used to indicate the title or announcement. Complete in colour as much as possible of the design.

2. Draw a design for the lid of an octagonal box to contain "Turkish Delight." Each side of the octagon is to be 3". Complete in colour as much as possible of the design.

3. Make a design for an all-over repeating pattern. The design is to be suitable for Printed Fabric, or Wrapping Paper, or Tiles. Draw three repeats and finish one or more in colour.

4. Draw a design for a Tea Cloth 44"×44". The design is to be suitable for Embroidery, or Weaving, or Lace, or Stencilling. Complete in colour as much as possible of the design. Scale: $\frac{1}{4}$ full size.

SECTION II.—[100 marks.]

THREE QUESTIONS ONLY TO BE ATTEMPTED.

[All questions carry equal marks.]

*1. Draw the diagram to the dimensions given and within it draw in suitable proportions the word "CUMΛ'OOIR," or the word "COMPOSER."

*2. Copy the ornament shown on the diagram, full size, according to the dimensions.

*3. A drawing is shown of a Machine Part. Draw, full size, to the dimensions indicated, a plan and elevation.

4. Draw a design for a Panel in the form of a quadrant of 7" radius. The design is to be based on geometric ornament, and should be suitable for Iron-Work, or Enamelling, or Inlay.

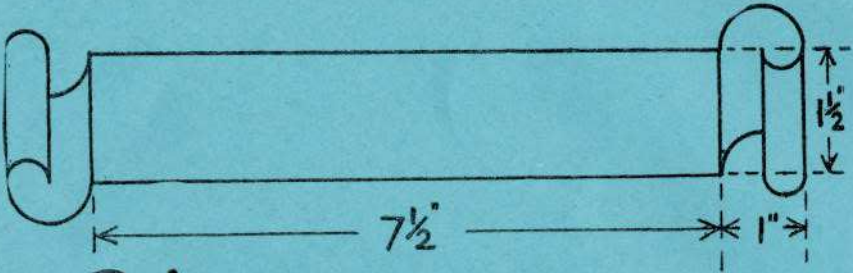
Colour MAY be used in answering this question.

5. Make a design for a repeating border, $2\frac{1}{2}$ " wide, to suit a square Picture Frame of 9" side. The design should be suitable for wood-carving, or Repoussé Metal, or Leathercraft, or Printed Wood.

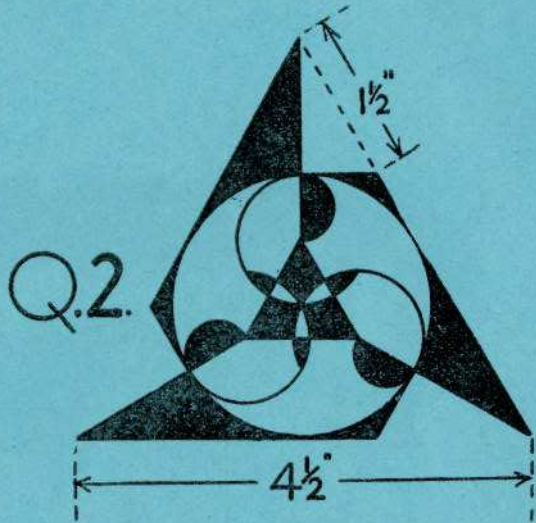
The design is to be based on geometric ornament.

Complete *one* repeat and show the main lines of the adjacent repeats.

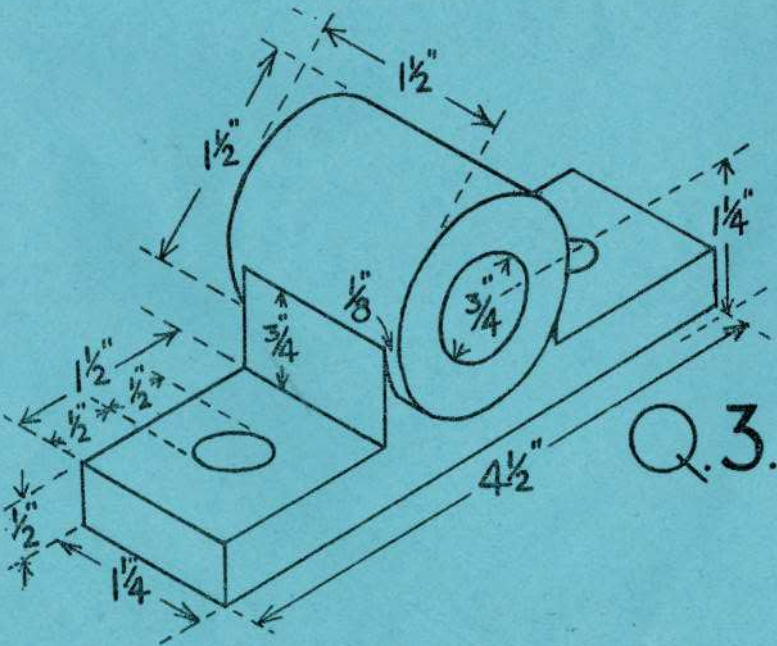
Colour MAY be used in answering this question.



Q.1.



Q.2.



Q.3.