

AN ROINN OIDEACHAIS

(Department of Education.)

BRAINNSE AN MHEADHON-OIDEACHAIS

(Secondary Education Branch).

LEAVING CERTIFICATE EXAMINATION, 1940.

PASS

MECHANICAL DRAWING AND DESIGN.

MONDAY, 17th JUNE.—AFTERNOON, 4 TO 6 P.M.

GIRLS ONLY.

NOTE.—The use of mathematical instruments, protractors, scales, T- and set squares, and drawing-boards is allowed.

The number of the question must be distinctly marked by the side of each answer. Both sides of the paper may be used.

Questions marked (*) have accompanying diagrams.

The number of marks assigned to each question is stated in brackets after the question.

ONLY FOUR questions to be attempted. TWO from SECTION A, and TWO from SECTION B.

SECTION A.

Two questions only to be attempted in this Section.

(The questions in this Section must be solved accurately with the aid of drawing instruments. All lines used in constructions should be clearly shown.)

*Q. 1. Draw the shape to the dimensions given, and within it draw in suitable proportions the words "CÉAD DUAIS" in Gaelic letters, one inch high, or the words "FIRST PRIZE," in Roman letters, one inch high. The two words are to be spaced out and at least *half* of the letters completed.

[20]

*Q. 2. Copy the pattern shown in the diagram to the dimensions indicated.

[20]

*Q. 3. Draw the given pattern of a banner according to the figured dimensions. Show clearly how the points of contact of the circles are obtained.

Draw to a scale of 1 inch to 1 foot.

An ordinary divided rule may be used as a scale.

[20]

SECTION B.

Two questions only to be attempted in this Section.

Q. 4. Draw a design to occupy a regular hexagon of $2\frac{1}{2}$ inches side. The design may be based on Celtic Ornament, or on Natural Forms ornamentally treated.

Two tones of one colour may be used or the design may be finished in black and white.

[30]

Q. 5. Make a design in colour suitable for an embroidered Cushion-cover. The design is to occupy a circle of $5\frac{1}{2}$ inches diameter.

(Colour MUST be used in answering this question.)

[30]

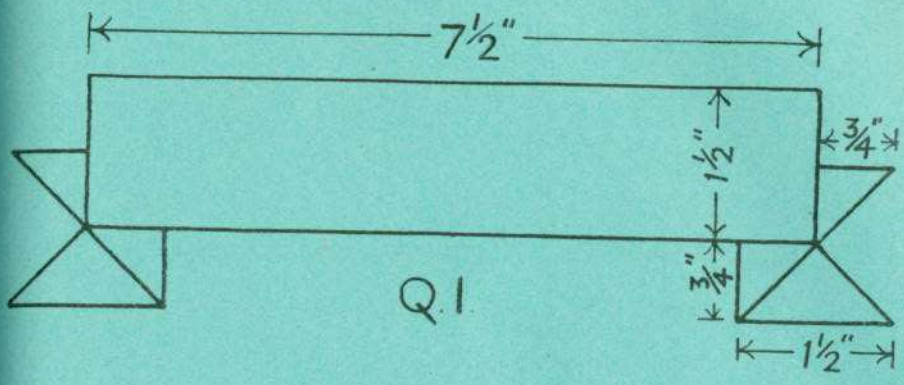
Q. 6. Design for display in a shop window a Showcard to advertise Toys. Use not more than *four* colours. The word "TOYS," in Roman lettering, should be embodied in the design.

The design is to be rectangular in shape, 6 inches by 4 inches.

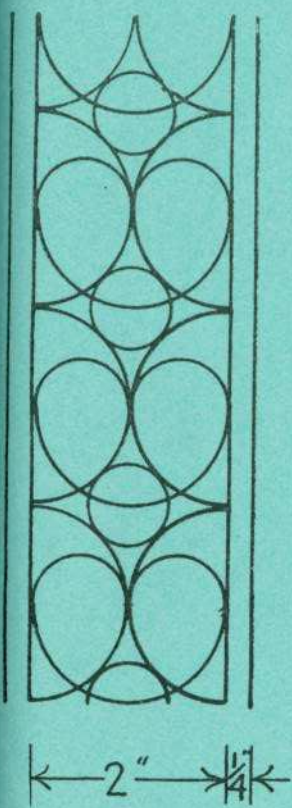
(Colour MUST be used in answering this question.)

[30]

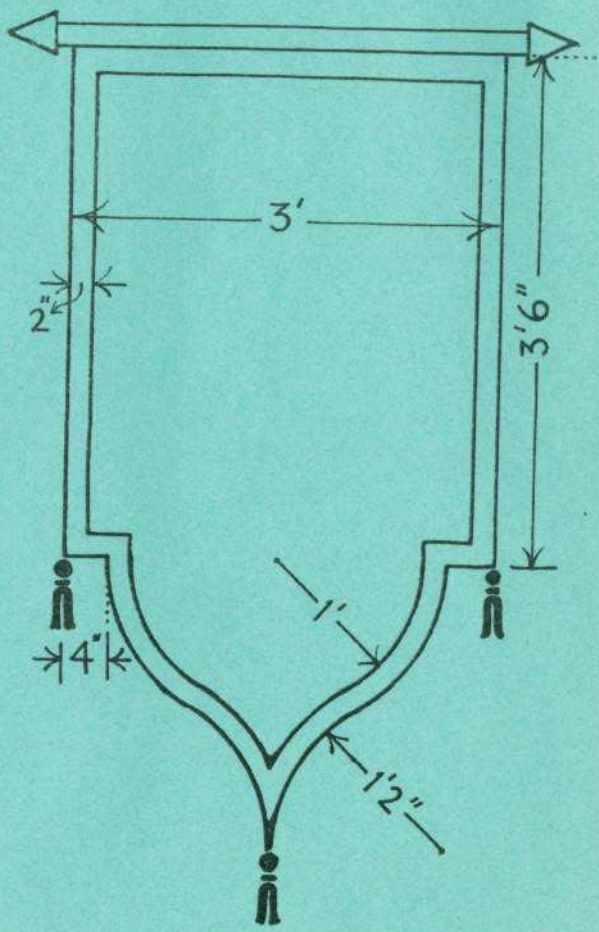
GIRLS ONLY.



Q.1



2



Q.3