

AN ROINN OIDEACHAIS
(Department of Education).
BRAINNSE AN MHEADHON-OIDEACHAIS
(Secondary Education Branch).

LEAVING CERTIFICATE EXAMINATION, 1935.

PASS.

MECHANICAL DRAWING AND DESIGN.

BOYS AND GIRLS.

WEDNESDAY, 19th JUNE.—AFTERNOON, 4 TO 6 P.M.

BOYS ONLY.

NOTE.—The use of mathematical instruments, protractors, scales, T- and set squares, and drawing-boards is allowed.

All construction lines must be clearly shown.

The number of the question must be distinctly marked by the side of each answer. Both sides of the paper may be used.

Questions marked (*) have accompanying diagrams.

The number of marks assigned to each question is stated in brackets after the question.

Q. 1. Within a semi-circle of 4 inches diameter, draw, with pencil, pen or brush, in suitable proportion, the word **ᚱᚱᚱᚱᚱ** in Gaelic letters.

OR

The word **RADIO** in Roman letters. [8]

*Q. 2. The plan and elevation of the letter U are given. Draw a new elevation of the letter when its plane is vertical and inclined at 45° to the vertical plane of projection. [11]

*Q. 3. Draw the given diagram of a metal-template according to the figured dimensions. Show clearly how all the points of contact are determined. [9]

*Q. 4. An outline dimensioned diagram of the front of a wireless cabinet is given. Draw to a scale of $1\frac{1}{2}$ inches to 1 foot. [11]

*Q. 5. The plan and elevation of an electric table-lamp are given. Draw a new elevation of the lamp on a vertical plane represented in plan by **X¹ Y¹**. [14]

Q. 6. Draw a design for a border $1\frac{1}{4}$ inches wide to suit a circular photo frame of 5 inches diameter. Your design may be composed of Celtic, Floral, or Geometric ornament and should be suitable for Woodcarving, Repoussé Metal, Modelled Leather, Stained Wood or Inlay.

Complete *half* of the design in black and white or two colours.

[22]

GIRLS ONLY.

NOTE.—The use of mathematical instruments, protractors, scales, T- and set squares, and drawing-boards is allowed.

All construction lines must be clearly shown.

The number of the question must be distinctly marked by the side of each answer. Both sides of the paper may be used.

Questions marked (*) have accompanying diagrams.

The number of marks assigned to each question is stated in brackets after the question.

Q. 1. Within a semi-circle of 4 inches diameter draw, with pencil, pen, or brush, in suitable proportion, the word **RÁDÍÓ** in Gaelic letters.

OR

The word **RADIO** in Roman letters. [8]

*Q. 2. Make a copy of the diagram, using the figured dimensions [10]

*Q. 3. The plan and elevation of an Umbrella Stand are shown in diagram. Draw the plan and elevation to the dimensions indicated.

Project the ornament shown on front vertical face on to the adjacent vertical faces. [14]

*Q. 4. Draw the given diagram of a Fire-Screen, according to the figured dimensions.

Show clearly how all points of contact are obtained. [12]

*Q. 5. Draw with instruments the construction necessary in setting out the repeating pattern shown in diagram.

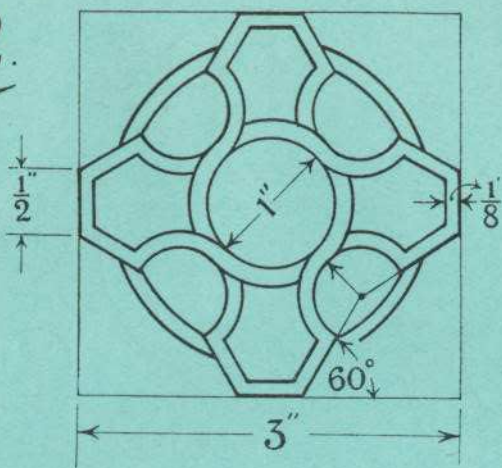
Complete at least *half* of the diagram. [9]

Q. 6. Draw a design for a border $1\frac{1}{4}$ inches wide to suit a circular Photo Frame of 5 inches diameter. Your design may be composed of Celtic, Floral or Geometric ornament, and should be suitable for Woodcarving, Repoussé Metal, Modelled Leather, Stained Wood or Inlay.

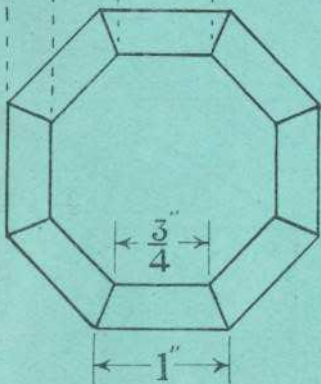
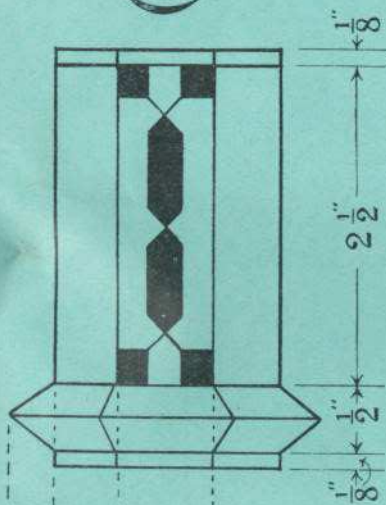
Complete *half* of the design in black and white or two colours. [22]

GIRLS ONLY.

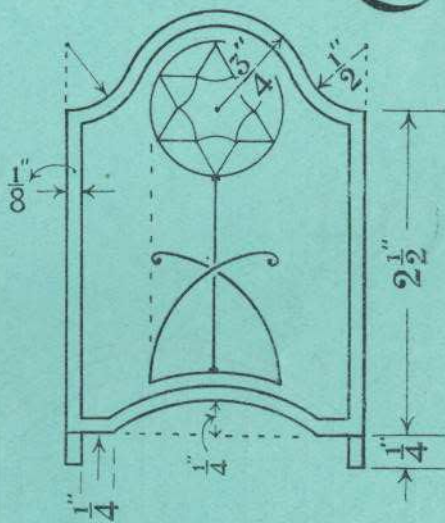
Q 2.



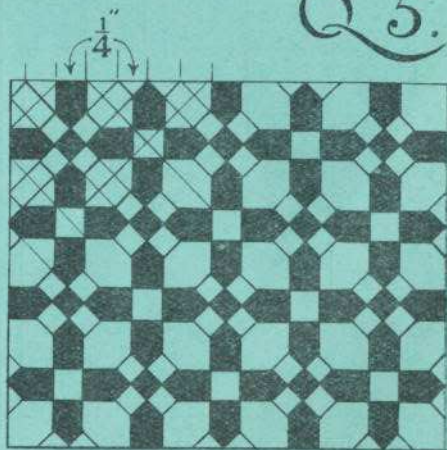
Q 3.



Q 4.

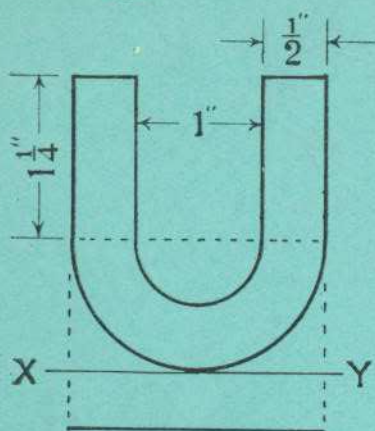


Q 5.

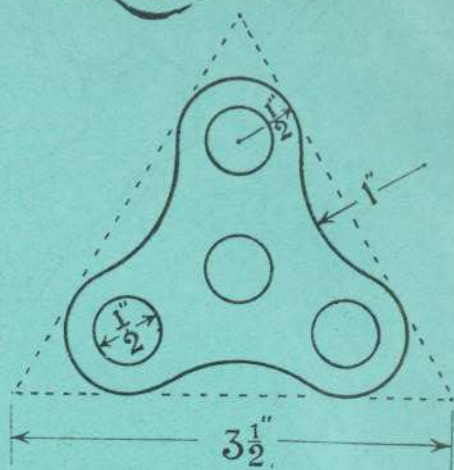


BOYS ONLY.

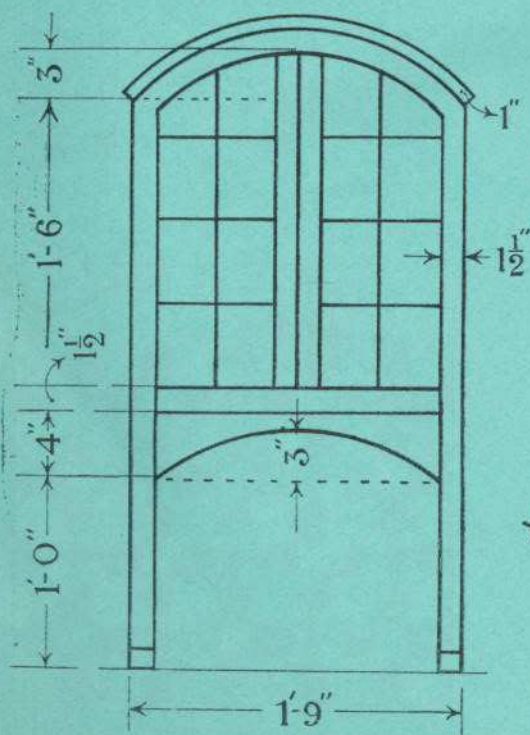
Q2.



Q3.



Q4



Q5.

