

# AN ROINN OIDEACHAIS

(Department of Education).

LEAVING CERTIFICATE EXAMINATION, 1958.

ART AND DRAWING.

MECHANICAL DRAWING AND DESIGN.

HONOURS

THURSDAY, 19th JUNE.—MORNING, 10 TO 12.

## INSTRUCTIONS.

- (a) Candidates may take Section I or Section II but *not both*.
- (b) The use of drawing instruments is allowed.
- (c) The number of the question must be distinctly marked by the side of the answer.
- (d) Questions marked (\*) have accompanying diagrams.
- (e) Colour **MUST** be used in Section I.

SECTION I.—[100 marks.]

ONE QUESTION ONLY TO BE ATTEMPTED.

1. Draw a design for a Poster or Showcard  $8\frac{1}{2}'' \times 12''$ , to advertise *one* of the following :—

- (a) A Festival, or
- (b) Souvenirs, or
- (c) Space-travel.

The design should include an appropriate title or announcement. Complete in colour as much as possible of the design.

2. Make a design for semi-circular Floor Rug, suitable for a room the general colour scheme of which is Blue, Cream, Russet and Light Grey.

The drawing should be as large as the paper will hold conveniently. Complete in colour as much as possible of the design.

3. Make a design for a Hanging Sign, to be suspended over the door of *one* of the following buildings :—(a) a flower shop, or (b) a fish shop, or (c) a jeweller's. The design may be for any ornamental shape.

The drawing should be as large as the paper will hold conveniently. Complete in colour as much as possible of the design.

4. Draw a design for an all-over repeating pattern. The design is to be suitable for a Fancy Wrapping-paper and should include a monogram.

Draw three repeats and finish one or more in colour.

SECTION II.—[100 marks.]

THREE QUESTIONS ONLY TO BE ATTEMPTED.

[All questions carry equal marks.]

\*1. Copy the ornament shown on the diagram, full size, according to the dimensions.

\*2. The diagram represents a Brooch. Draw the diagram, full size, to the dimensions given.

\*3. The diagram gives the side elevation, and plan of a garden roller.

Draw full size a new elevation on X<sup>1</sup>Y<sup>1</sup>.

4. Draw a design for a panel in the form of an oval or of an ellipse, 10" × 7". The design is to be based on geometric ornament. Free drawn details *may* be added.

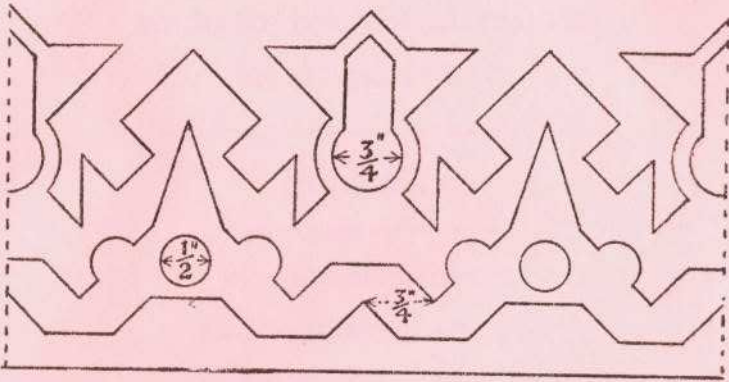
State the craft for which the design is suitable. Colour *may* be used in answering this question.

5. Make a design for a repeating border 2" wide, to suit the lid of a pentagonal box of 5" side. The design is to be based on geometric ornament. Free-drawn details *may* be added.

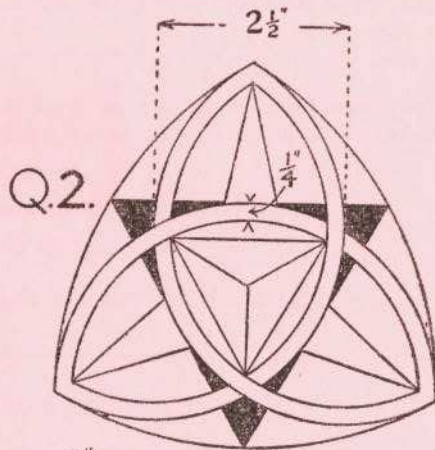
State for what craft the design is suitable.

Colour *may* be used in answering this question.

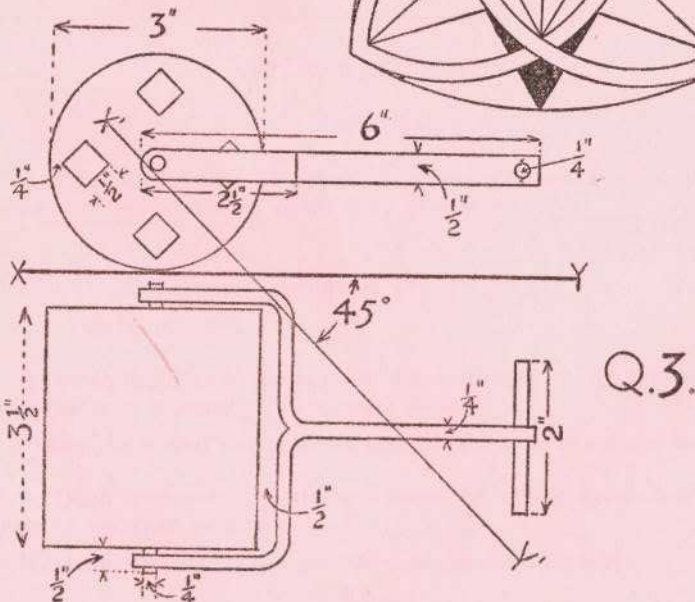
## ROINN II-ONÓRÁCA SECTION II-HONOURS



Q.1.



Q.2.



Q.3.