

AN ROINN OIDEACHAIS

(Department of Education).

LEAVING CERTIFICATE EXAMINATION, 1953.

ART AND DRAWING.

MECHANICAL DRAWING AND DESIGN.

HONOURS

THURSDAY, 18th JUNE.—MORNING, 10 TO 12.

INSTRUCTIONS.

- (a) Candidates may take Section I or Section II but *not both*.
- (b) The use of drawing instruments is allowed.
- (c) The number of the question must be distinctly marked by the side of the answer.
- (d) Questions marked (*) have accompanying diagrams.
- (e) Colour **MUST** be used in Section I.

SECTION I.—[100 marks.]

ONE QUESTION ONLY TO BE ATTEMPTED.

1. Draw a design for a strip-poster, 8 inches by 20 inches (horizontal), to advertise *one* of the following :—

(a) "Ice Cream," or (b) "Honey."

Scale : $\frac{1}{2}$ full-size.

Simple "one-stroke" lettering may be used to indicate the title or announcement.

Complete in colour as much as possible of the design.

2. Draw a design for a Carpet, 16 feet by 20 feet, suitable for a room the general colour scheme of which is Blue, Gold, Blue-green, Amber (dark).

Scale : $\frac{1}{2}$ inch equals one foot.

Complete in colour as much as possible of the design.

3. Draw a design for a repeating border pattern suitable for the base of a curtain.

The design may be for Embroidery, Lace, Weaving, Stencilling, or Printing.

The width of the curtain is 48 inches, and the depth of the pattern is to be at least 12 inches.

Scale : $\frac{1}{4}$ full-size.

Complete in colour as much as possible of the design.

SECTION II.—[100 marks.]

THREE QUESTIONS ONLY TO BE ATTEMPTED.

[All questions carry equal marks.]

*1. An ornamental border is shown on the diagram. Draw two repeats of the border according to the figured dimensions.

*2. The diagram represents an ornamental brooch. Draw the diagram full-size to the dimensions given.

*3. The diagram shows the plan and elevation of a wheel-barrow. Draw, full-size, a new elevation of the diagram on a vertical plane represented in plan by X'Y'.

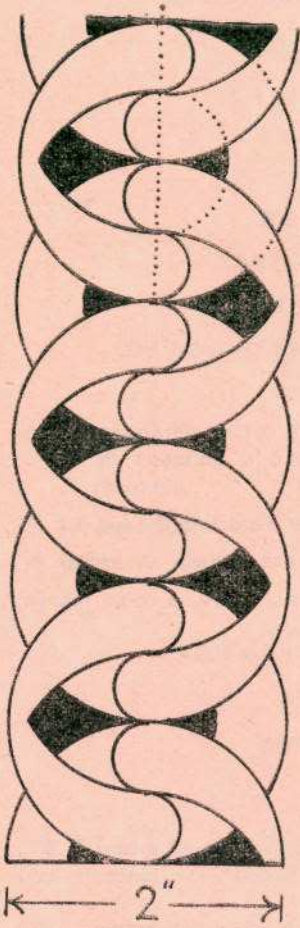
4. Draw a design for a Poster or Showcard to advertise "Books" or "Jelly." The design is to be rectangular in shape 4 inches by 6 inches (vertical). Simple "one-stroke" lettering may be used to indicate the title or announcement.

(Colour *MAY* be used in answering this question.)

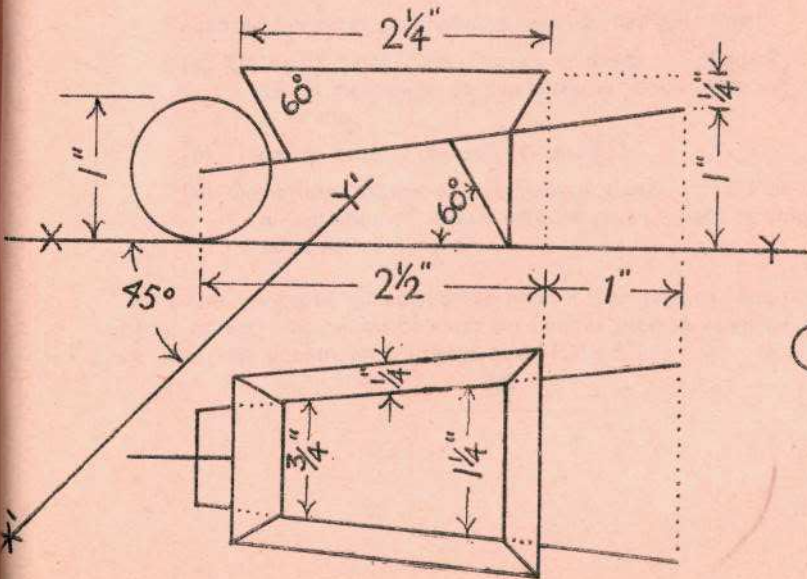
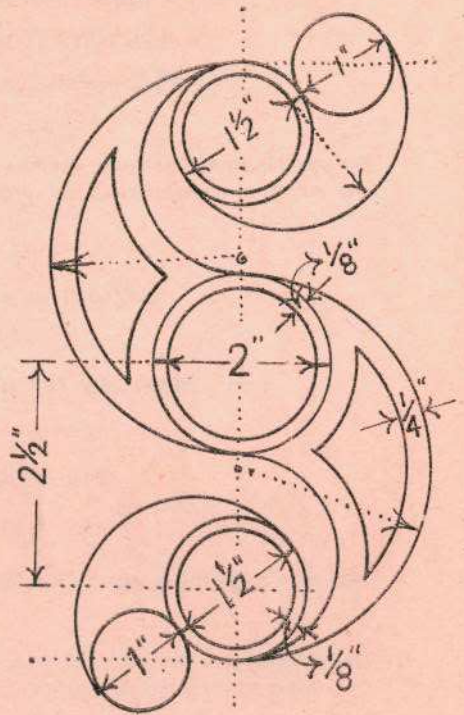
5. Draw a design for a hexagonal Teapot Stand to occupy a regular hexagon of 3 inches side. The design may be composed of Celtic, Floral or Geometric ornament, and suitable for some definite craft-work.

(Colour *MAY* be used in answering this question.)

Q. 1.



Q. 2.



Q. 3.