



Junior Certificate Examination 2005

Technical Graphics
Ordinary Level
Section A (120 Marks)

Monday 20 June

Morning 9:30 - 12:00

Instructions

- (a) Answer any **ten** questions in the spaces provided.
All questions carry equal marks.
- (b) Construction lines must be clearly shown.
- (c) All measurements are in millimetres.
- (d) This booklet must be handed up at the end of the examination.
- (e) Write your examination number in the box provided below
and on all other pages used.

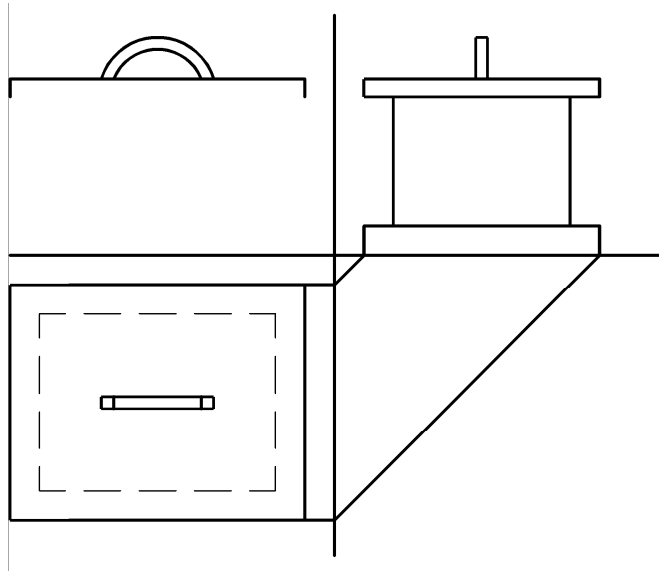
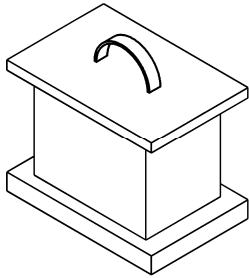
Examination Number:

Centre Number

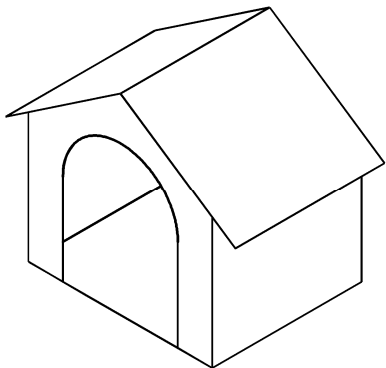
Question	Mark
Section A	
1	
2	
3	
4	
5	
6	
TOTAL	
GRADE	

SECTION A ANSWER ANY TEN QUESTIONS - ALL QUESTIONS CARRY EQUAL MARKS

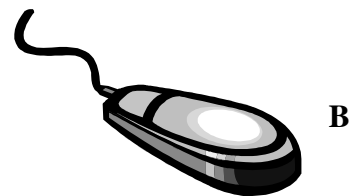
1 Shown is the **incomplete** elevation, plan and end view of a bread bin.
Insert the lines omitted in the elevation.



2 Make a freehand pictorial sketch of the dog kennel in the space provided.



3 Identify the computer components shown at **A** and **B**, below.

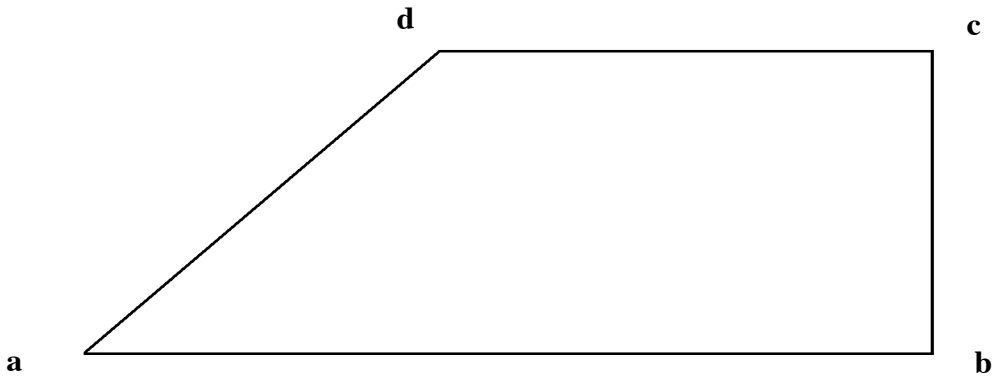


A : _____

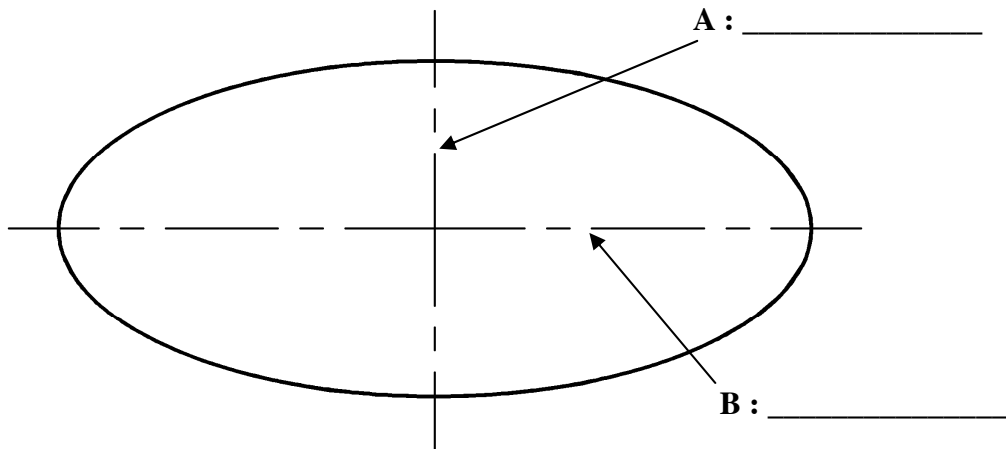
B : _____



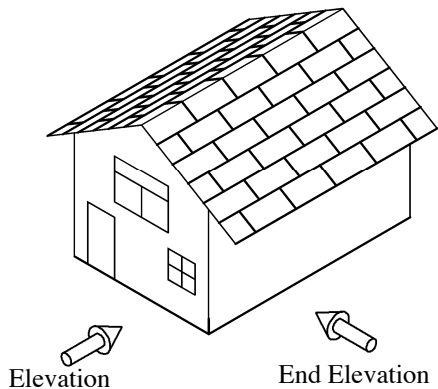
4 Convert the given figure **abcd** to a **rectangle** of equal area.



5 The figure shows an ellipse.
Locate the focal points of the ellipse and **label** the parts A and B.

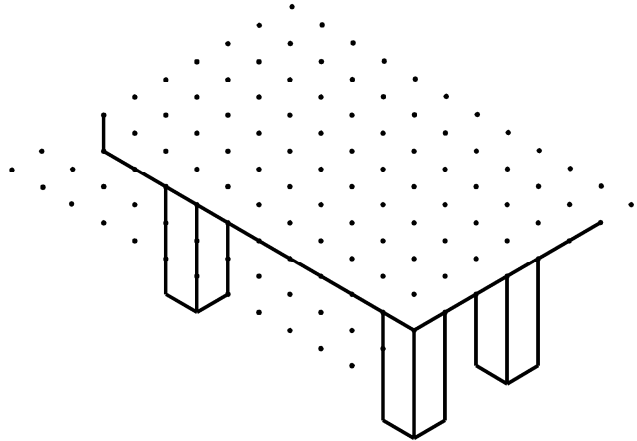
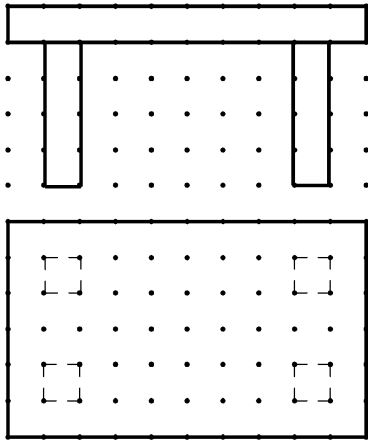


6 Shown is a pictorial drawing of a house.
Make a well proportioned **freehand sketch** of the elevation and end elevation in the space provided. Apply shading **OR** colour to the completed sketch.



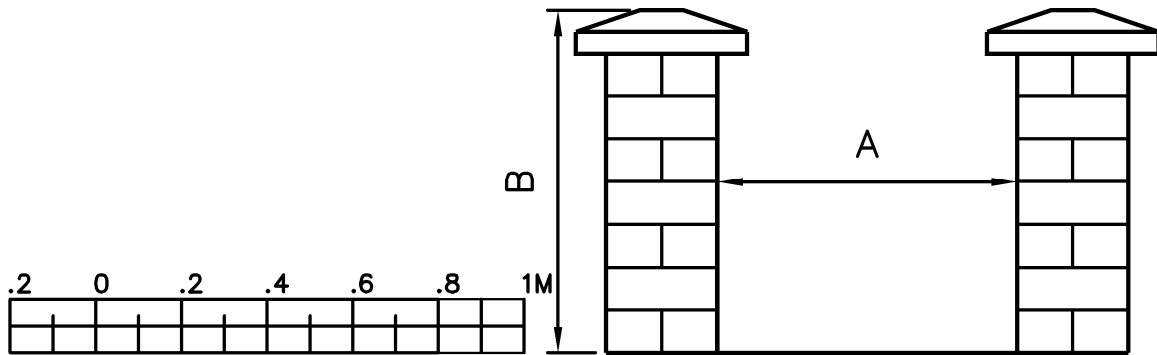
7

The elevation and plan of a table are shown.
Complete the isometric view of the table on the grid provided.



8

Using the scale provided, **measure** and **record** the dimensions A and B, in the gateway shown.

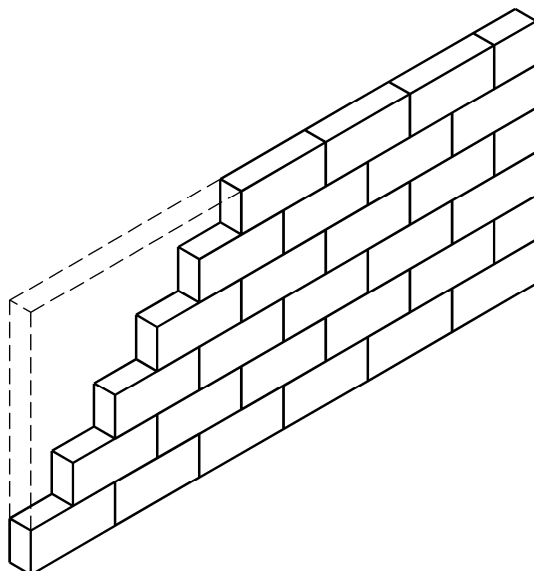


A : _____

B : _____

9

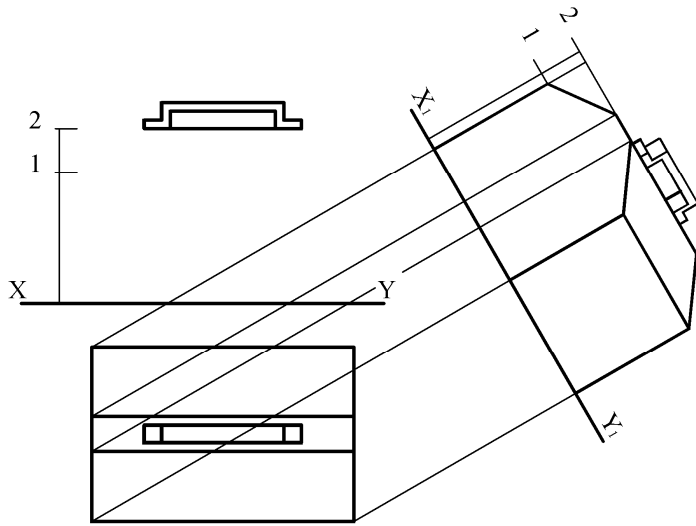
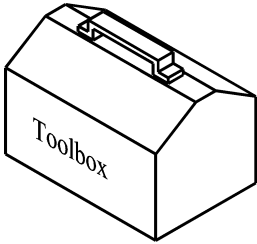
Determine the number of extra blocks required to complete the wall shown in the sketch.



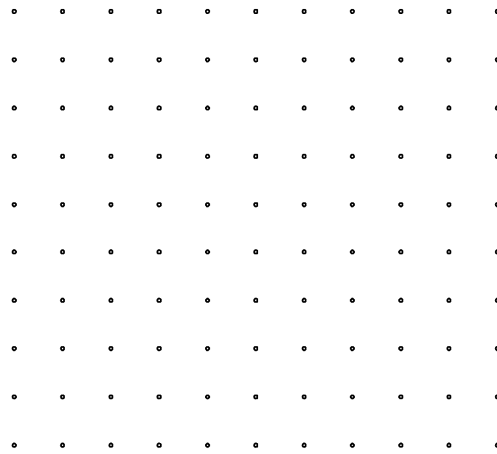
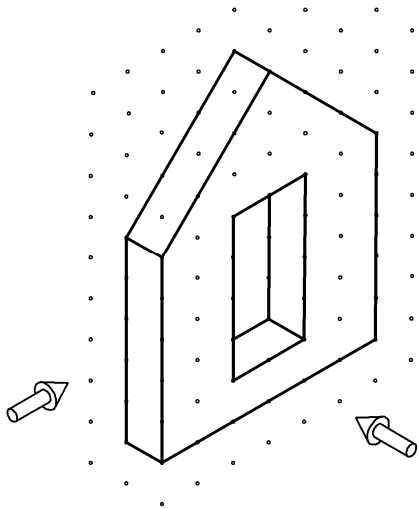
Answer:- _____ blocks.



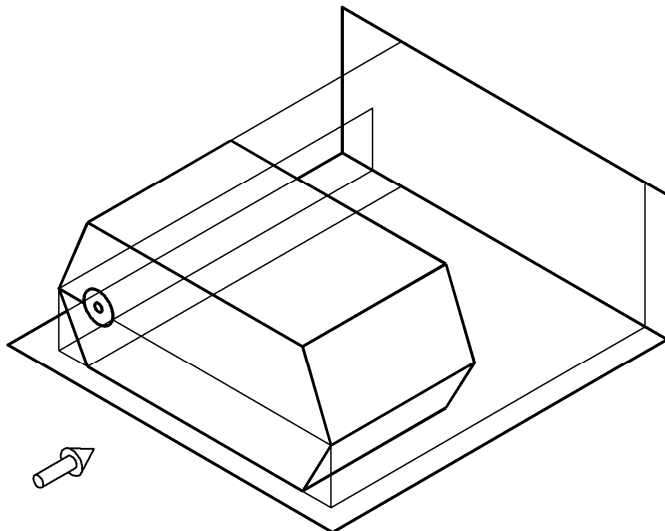
10 Shown is the **incomplete** elevation, plan and auxiliary elevation of a toolbox.
 Also shown is a sketch of the toolbox.
Complete the elevation of the given toolbox.



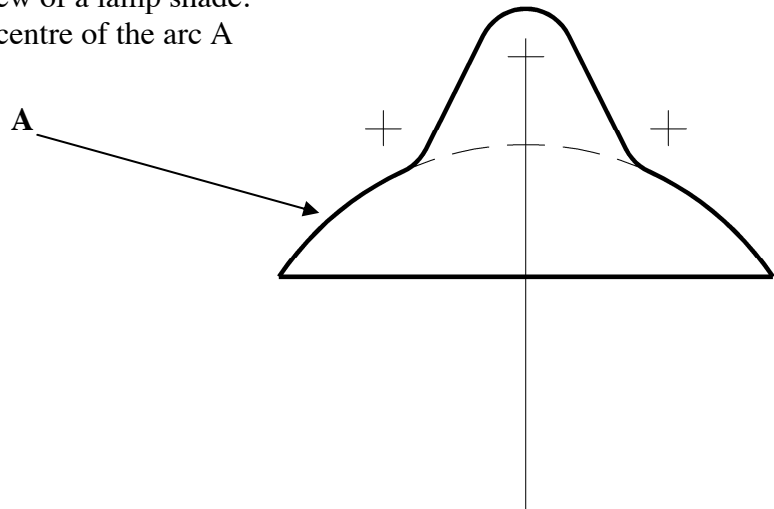
11 Using the grid provided, **sketch** the orthographic views indicated by the arrows.



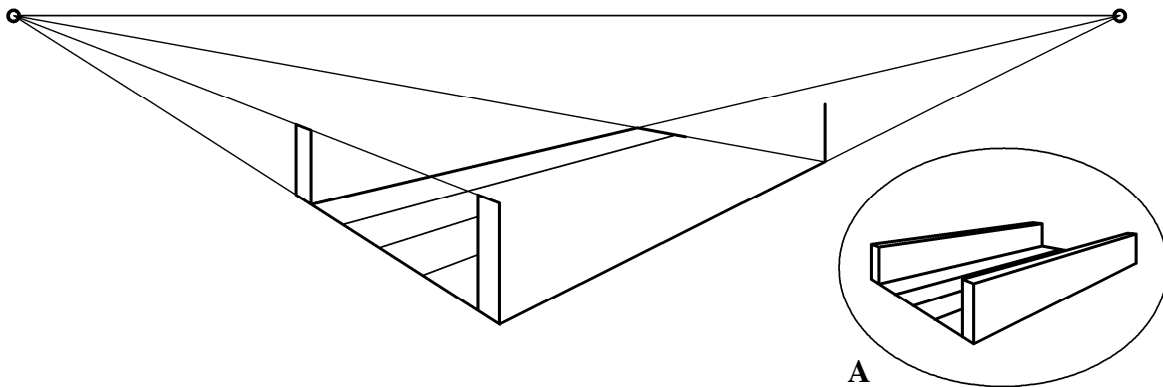
12 Sketch the **shadow** cast by the computer disk storage box, when the light source is from the direction of the arrow.



- 13** Shown is an outline view of a lamp shade.
Show clearly how the centre of the arc A is found.



- 14** The figure shows the **incomplete** two point perspective outline of a foot bridge.
Complete the perspective outline, similar to the view shown at A.



- 15** The figure shows the front wheel of a bicycle, with a reflector attached.
The wheel rotates through 180° .
Draw the reflector in the new position.

