

An Roinn Oideachais agus Eolaíochta

S 60 B

B

12161

JUNIOR CERTIFICATE EXAMINATION, 1998

TECHNICAL GRAPHICS — ORDINARY LEVEL

THURSDAY 18 JUNE — AFTERNOON, 2.00 — 4.30

SECTION B — 280 MARKS

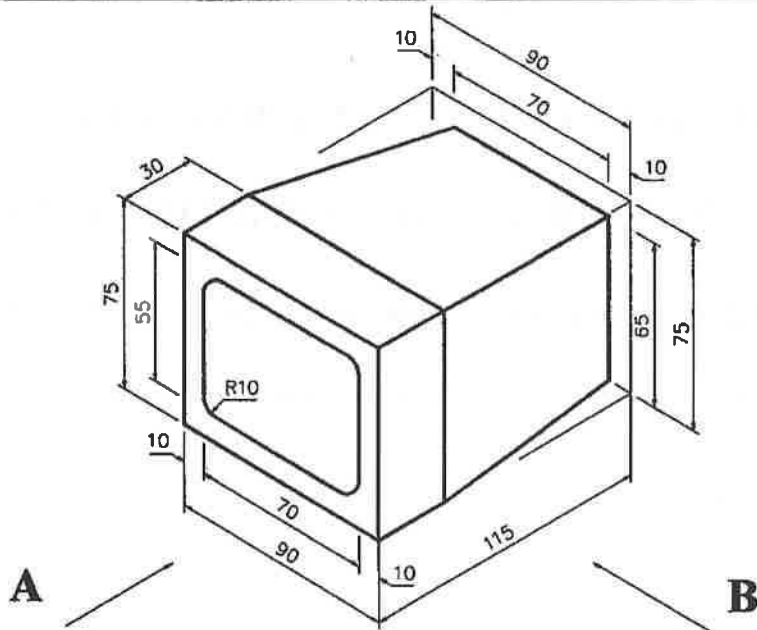
INSTRUCTIONS FOR SECTION B

- (a) **Any four** questions to be answered.
- (b) All questions carry equal marks.
- (c) The number of the question must be distinctly marked by the side of each question.
- (d) Work on one side of the paper only.
- (e) Examination number must be distinctly marked on each sheet of paper used.



SECTION B (ANSWER ANY FOUR QUESTIONS- ALL QUESTIONS CARRY EQUAL MARKS)

1

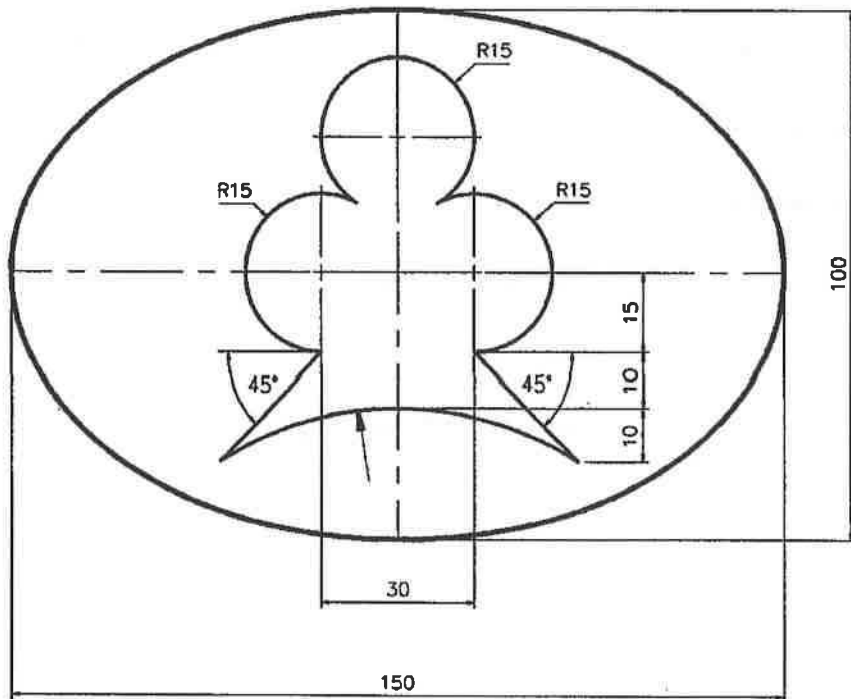


The figure shows the outline of a **TELEVISION SET**. Draw **FULL SIZE** :-

- (a) A front elevation looking in the direction of arrow A.
- (b) An end elevation looking in the direction of arrow B.
- (c) A plan projected from the front elevation.

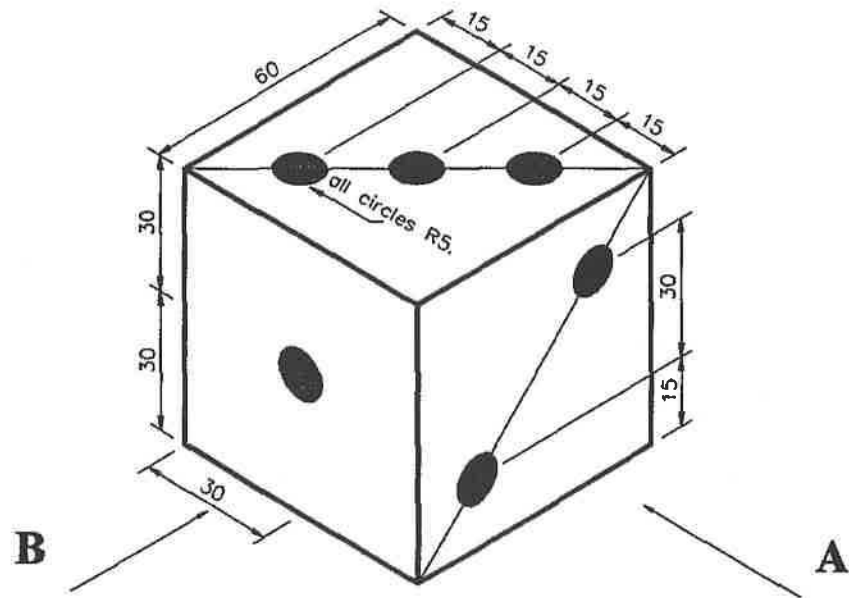
Insert any **FOUR** dimensions.

2



The figure shows the design for a **HAIR SLIDE** in the shape of an **ELLIPSE**. Draw **FULL SIZE** the given design showing clearly all construction lines and points of contact.

3

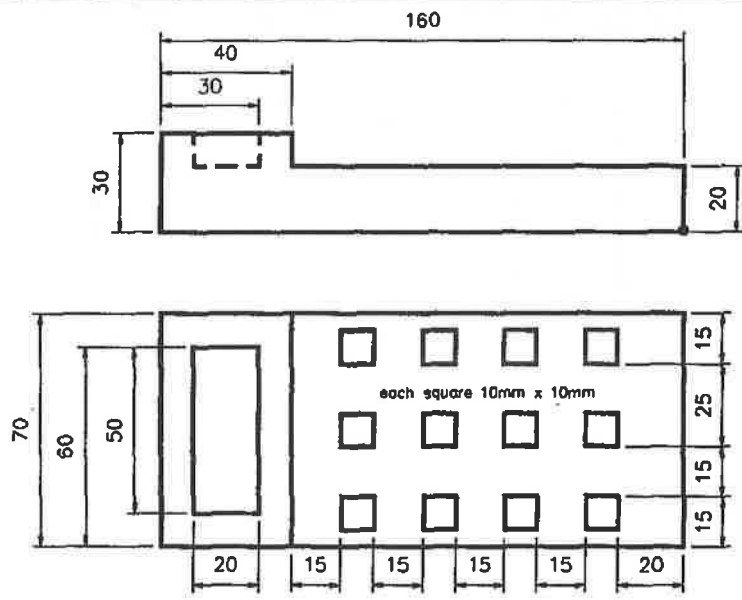


The figure shows the outline of a **DIE (DICE)**.

Draw **FULL SIZE** the following views :-

- (a) A front elevation looking in the direction of arrow A.
- (b) An end elevation looking in the direction of arrow B.
- (c) The **DEVELOPMENT** of the die (Dice), with the visible faces in the correct sequence (order).

4



The figure shows a **CALCULATOR**.

Draw **FULL SIZE ONE** of the following views :-

- (a) An **ISOMETRIC VIEW** of the Calculator.

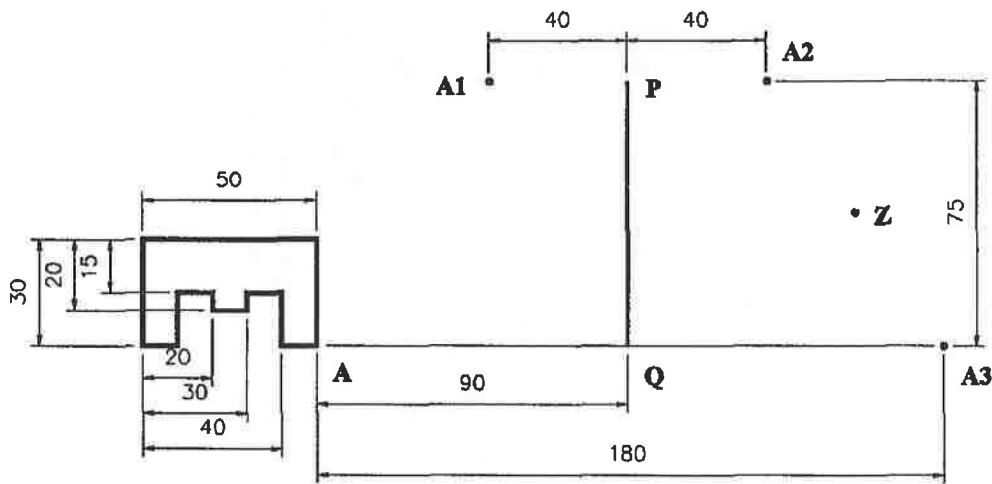
OR

- (b) An **OBLIQUE VIEW**.

The solution must be presented on standard drawing paper.

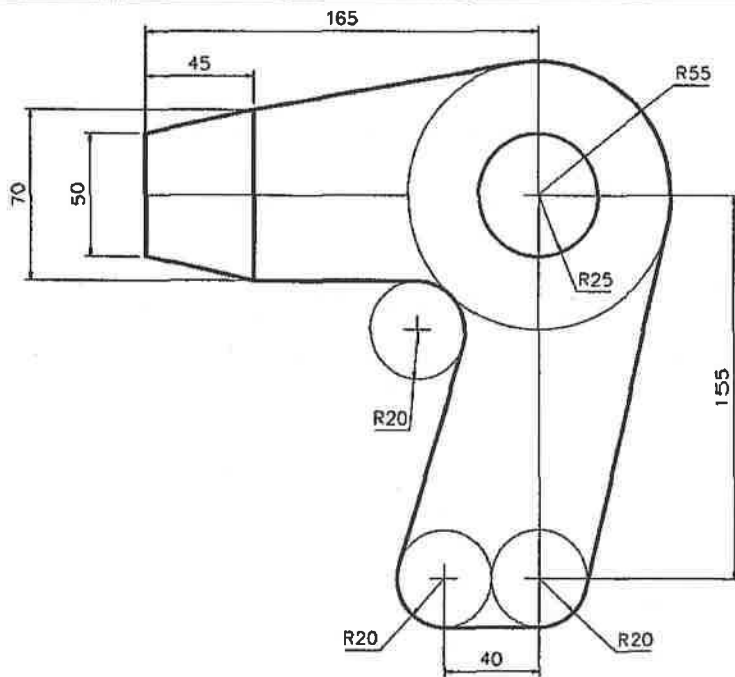


5



Draw the given figure. Locate the image points A1, A2, A3, the line PQ and, then, find the image of the given figure under the following transformations :-
 (a) From point A to A1 by a **TRANSLATION**,
 (b) From point A1 to A2 by an **AXIAL SYMMETRY** in the line PQ,
 (c) From point A2 to A3 by a **CENTRAL SYMMETRY** in the point Z.

6



A design for a **HAIR DRYER** is shown. Reproduce the given figure, showing clearly all constructions and points of contact.