

AN ROINN OIDEACHAIS

B

JUNIOR CERTIFICATE EXAMINATION, 1994
TECHNICAL GRAPHICS - ORDINARY LEVEL
THURSDAY 16 JUNE - AFTERNOON, 2.00 - 4.30.

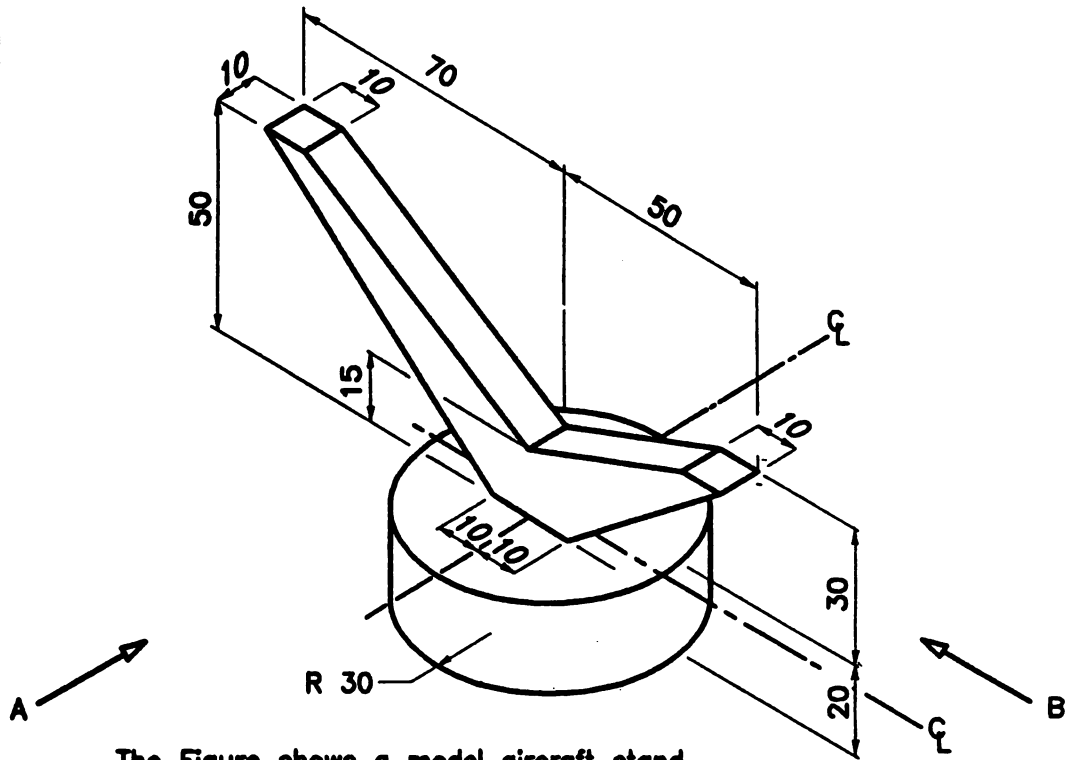
SECTION B - 280 MARKS

INSTRUCTIONS FOR SECTION B

- (a) **Any four** questions to be answered.
- (b) All questions carry equal marks.
- (c) The number of the question must be distinctly marked by the side of each question.
- (d) Work on one side of the paper only.
- (e) Examination number must be distinctly marked on each sheet of paper used.

SECTION B (ANSWER ANY FOUR QUESTIONS – All questions carry equal marks)

1



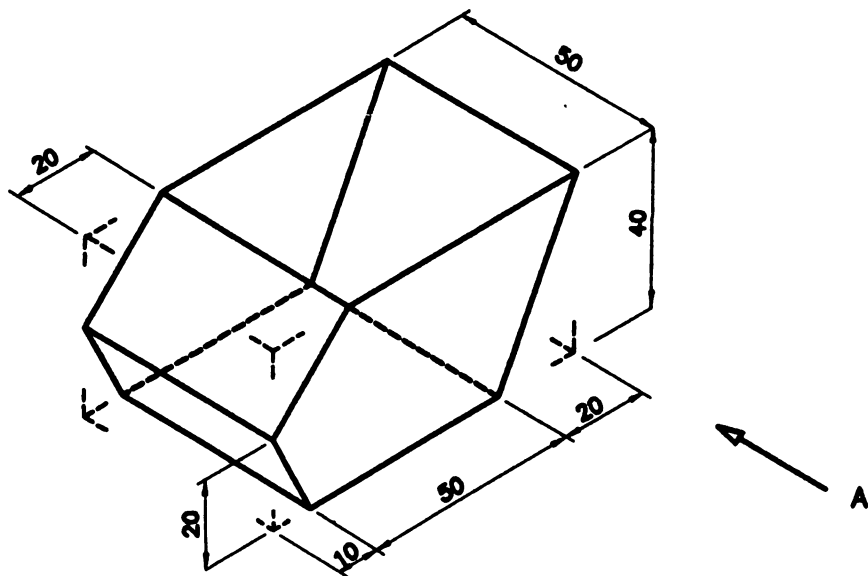
The Figure shows a model aircraft stand.

Draw full size :-

- (a) A front elevation looking in the direction of arrow A
- (b) An end elevation looking in the direction of arrow B
- (c) A plan projected from the front elevation.

Insert the title of each view and any four dimensions.

2

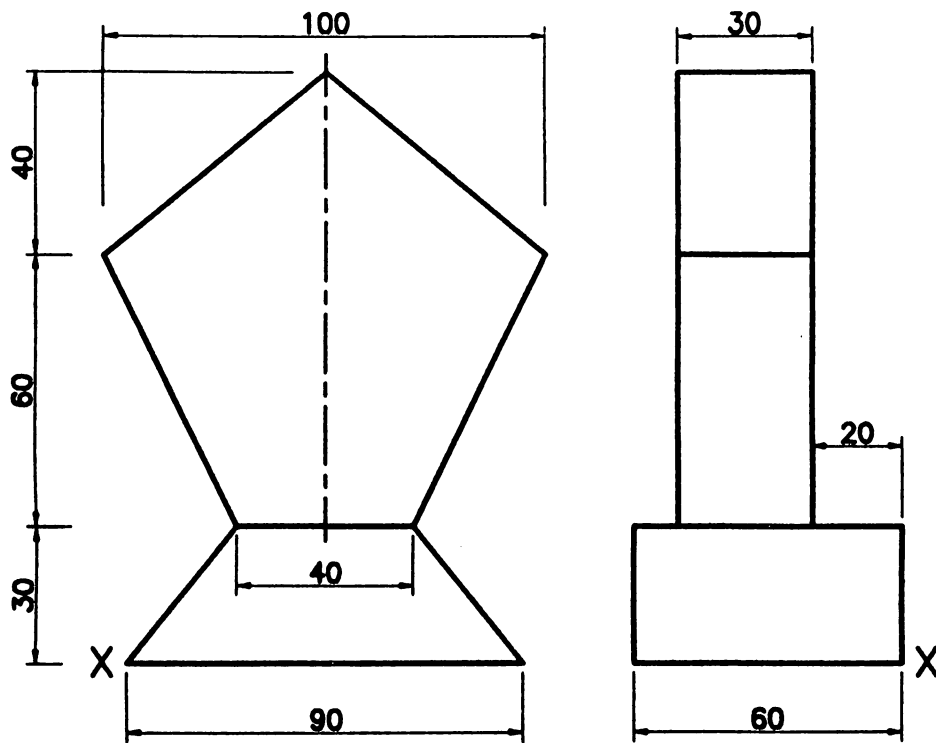


A pictorial view of a plastic box with an OPEN top is shown in the Figure.

Draw full size FREEHAND on the SQUARED paper supplied :-

- (a) A front elevation looking in the direction of arrow A.
- (b) A plan projected from the front elevation.
- (c) The total surface DEVELOPMENT of the box.

3



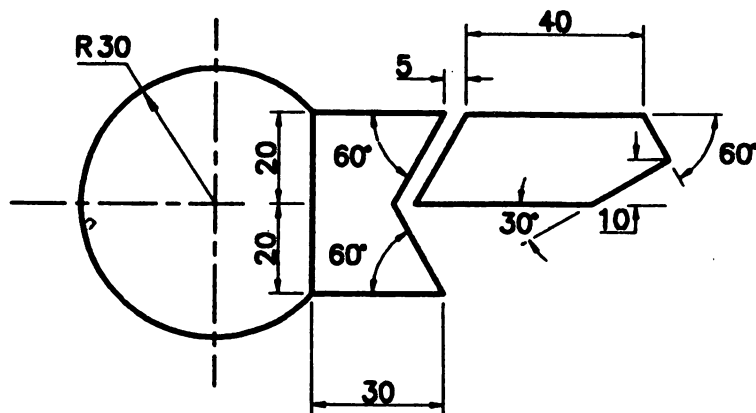
The front elevation and end elevation of a trophy are shown in the Figure. Draw full size ONE of the following views.

(a) An ISOMETRIC view with point X the lowest point on the drawing.

OR

(b) An OBLIQUE view drawn to the left hand side.

4



A design for a LOGO is shown in the Figure.

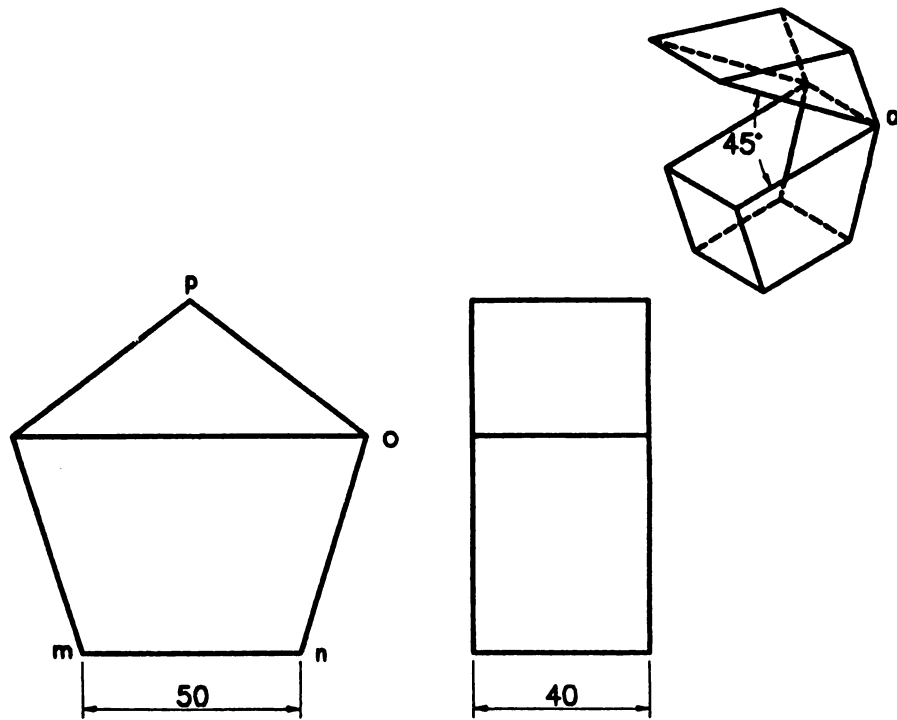
Draw full size :-

(a) The given design.

(b) Measure and write down the total length of the logo.

NOTE :- ALL CONSTRUCTION LINES MUST BE CLEARLY SHOWN.

5



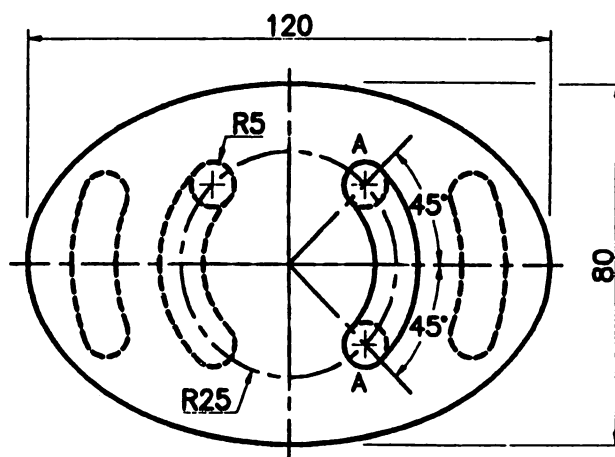
The front elevation and end elevation of a jewellery box, based on a regular PENTAGON are shown in the Figure.

Draw full size :-

- (a) A front elevation and a plan view of the box, with the TOP opened through an angle of 45° clockwise about point O.
- (b) Index points m, n, o and p on both views.

NOTE :- ALL CONSTRUCTION LINES MUST BE CLEARLY SHOWN.

6



A design based on an ELLIPSE for a food masher is shown in the Figure.

Draw full size :-

The given design showing the outline of the ELLIPSE and the opening marked A-A.

NOTE :- ALL CONSTRUCTION LINES MUST BE CLEARLY SHOWN.