

AN ROINN OIDEACHAIS  
(Department of Education).

---

INTERMEDIATE CERTIFICATE EXAMINATION, 1951.

---

MECHANICAL DRAWING AND DESIGN  
(COURSE B).

---

THURSDAY, 14th JUNE.—MORNING, 10 TO 12.

---

NOTE—The use of mathematical instruments, protractors, scales, T and set squares, and drawing-boards is allowed.

The number of the question must be distinctly marked by the side of each answer. Both sides of the paper may be used.

Questions marked (\*) have accompanying diagrams.

The number of marks assigned to each question is stated in brackets after the question.

ONLY FOUR questions to be attempted, TWO from SECTION A, and TWO from SECTION B.

---

SECTION A.

Two questions only to be attempted in this Section.

(The work in this Section must be accurate and must be executed with the aid of drawing instruments. All lines used in construction should be clearly shown.)

1. Draw with pencil, pen or brush, in Gaelic letters one inch high, the word "EITEALLÁN."

or

In Roman letters one inch high, the word, "AEROPLANE."

[20]

\*2. Copy the pattern shown on the diagram to the dimensions indicated.

[20]

\*3. A perspective drawing is shown of three steps. Draw full-size, to the dimensions indicated, a plan and elevation.

[20]

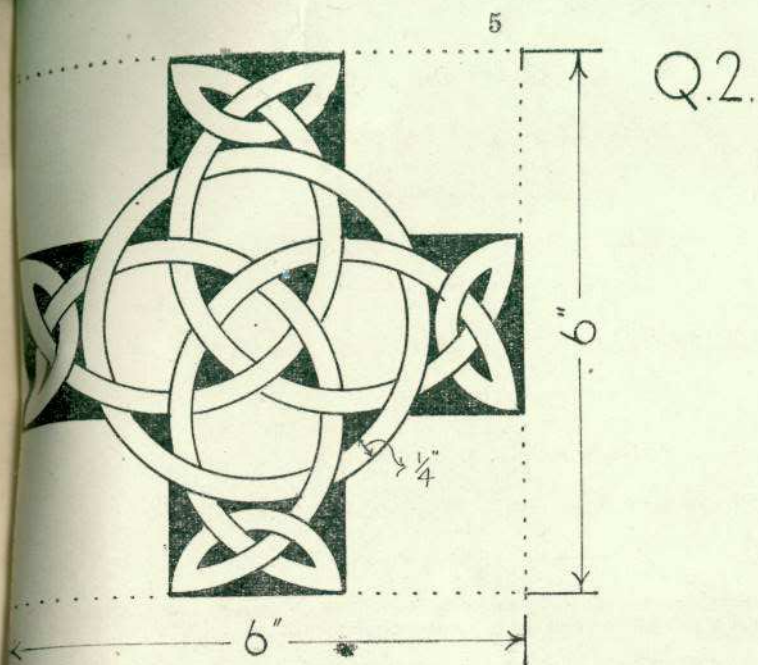
SECTION B.

Two questions only to be attempted in this Section.

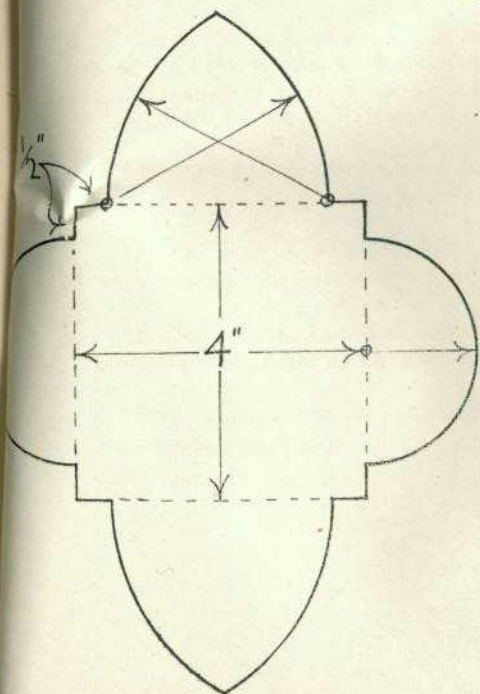
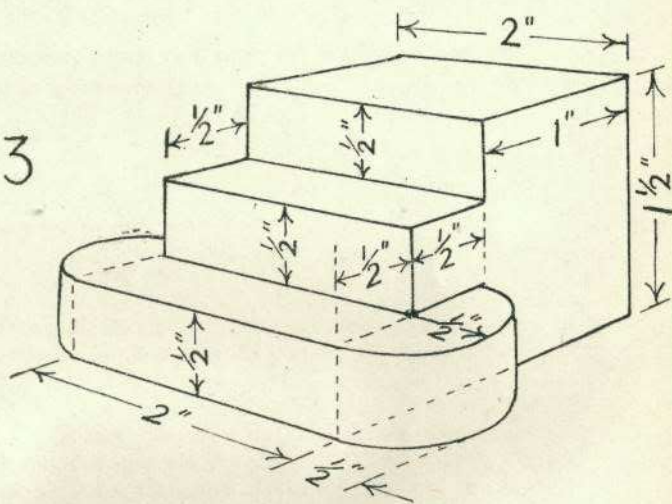
\*4. Draw a design to fill the shape shown in the diagram. Any style of ornament may be used, and the design may be completed in two or three colours, or in black and white. [30]

5. Draw a design to occupy a quadrant (quarter circle), of 4 inches radius, standing on its angular point. The design must be Celtic or Floral in treatment. (Colour MAY be used in answering this question). [30]

6. Make a design for an "all-over" pattern based on rectangles 4 inches by 2 inches. Your ornament may be Celtic, Floral or Geometrical. Complete *one* repeat, and show the main lines of the adjacent repeats. (Colour MAY be used in answering this question). [30].



Q.3



Q.4.