

AN ROINN OIDEACHAIS

(Department of Education).

BRAINNSE AN MHEADHON-OIDEACHAIS

(Secondary Education Branch).

INTERMEDIATE CERTIFICATE EXAMINATION, 1936.

**MECHANICAL DRAWING
AND DESIGN:**

TUESDAY, 23rd JUNE.—AFTERNOON 4 TO 6 P.M.

NOTE.—The use of mathematical instruments, protractors, scales, T- and set-squares, and drawing-boards is allowed.

All construction lines must be clearly shown.

The number of the question must be distinctly marked by the side of each answer; both sides of the paper may be used.

Questions marked (*) have accompanying diagrams.

The number of marks assigned to each question is stated in brackets after the question.

Q. 1. Draw with pencil, pen or brush, in Gaelic letters, $\frac{3}{4}$ inch high, the word **LAOC**.

Or,

In Roman letters, $\frac{3}{4}$ inch high, the word **HERO**. [8]

*Q. 2. Copy the given pattern to the dimensions shown. [10]

*Q. 3. Draw the given diagram of a flour-dredger using the figured dimensions. [10]

*Q. 4. Draw, to a scale of $1\frac{1}{2}$ inches to 1 foot, the given elevation of a Gramophone Cabinet according to the dimensions indicated.

An ordinary divided rule may be used as a Scale. [11]

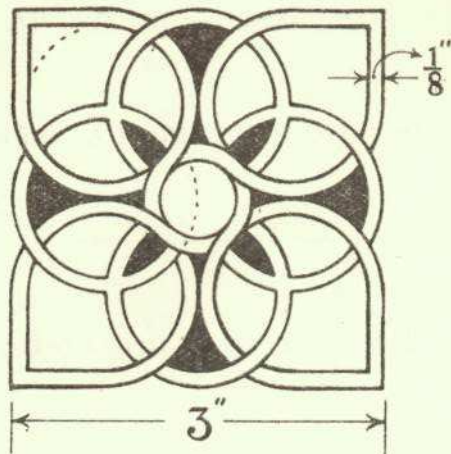
*Q. 5. A perspective drawing is given of a fruit-box. Draw full size to the dimensions shown a plan and elevation. [14]

Q. 6. Draw a design to occupy a rectangle $4\frac{1}{2}$ inches by $2\frac{1}{2}$ inches. You may select any style of ornament and finish the design in black and white or in two colours.

Or,

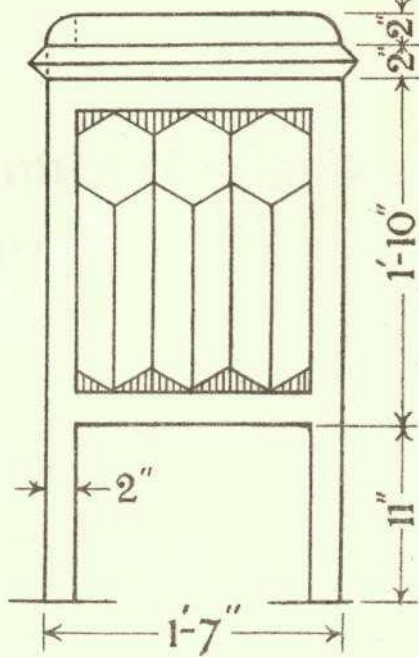
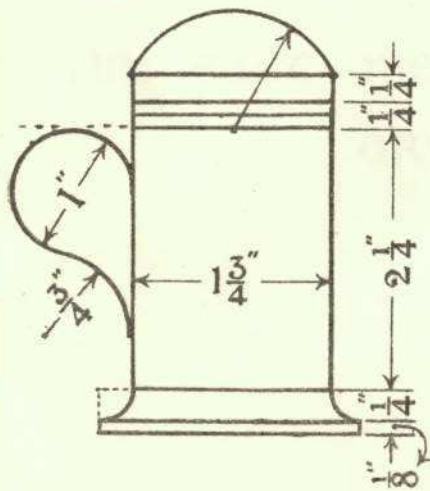
Draw a design for a repeating circular border $1\frac{3}{4}$ inches wide, the radius of the outer circle to be $2\frac{1}{2}$ inches. The design must be Celtic or Floral in treatment. Complete one repeat in black and white or colour and show the main lines of adjacent repeats. [22]

Q2.



Q4.

Q3



Q5.

