

# AN ROINN OIDEACHAIS

(Department of Education).

## BRAINSE AN MHEÁN-OIDEACHAIS

(Secondary Education Branch).

---

INTERMEDIATE CERTIFICATE EXAMINATION, 1926.

---

# MECHANICAL DRAWING AND DESIGN.

TUESDAY, 22nd JUNE.

AFTERNOON, 4 to 6 P.M.

**Note.**—The use of mathematical instruments, protractors, scales, T- and set-squares, and drawing-boards is allowed.

All questions to be attempted.

All construction lines must be clearly shown.

The number of the question must be distinctly marked by the side of each answer; both sides of the paper may be used.

Questions marked (\*) have accompanying diagrams.

Q. 1. At the top of your drawing-paper, between horizontal lines, three-quarter inch apart, draw *one* of the following words:—

The word **cluicí** in Gaelic letters.

*Or,*

The word GAMES in Roman letters.

\*Q. 2. The diagram of a drawer-handle is given. Draw full size to the dimensions shown. Show clearly how you would determine the points of contact.

\*Q. 3. Copy the given pattern, using the figured dimensions.

\*Q. 4. The plan is given of a right prism having equilateral triangles for its bases. These bases are vertical. Draw an elevation of the prism on the line XY. Show the form of the section of the prism made by the vertical plane AB. The part in section should be indicated by lightly shading it.

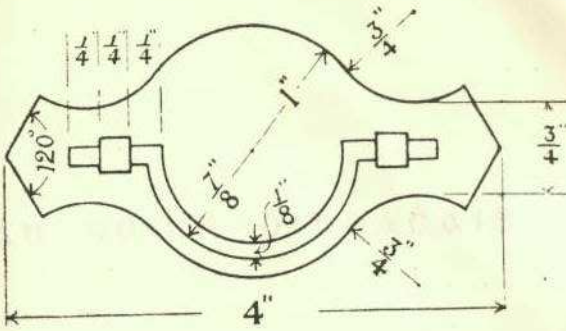
\*Q. 5. The front and end elevations of a sideboard are given. Draw the front elevation and plan, showing the circular dish A. Make your drawing so that the new elevation comes three inches in height. Construct the scale for use in making the drawing. The scale is to be correctly divided and figured.

Q. 6. Draw a design for a repeating border, four inches wide, exclusive of marginal lines. The design may be composed of geometric forms, or of geometric and free-drawn forms combined. Two repeats to be shown.

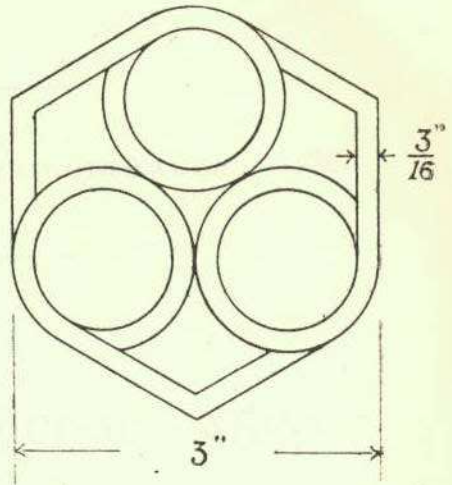
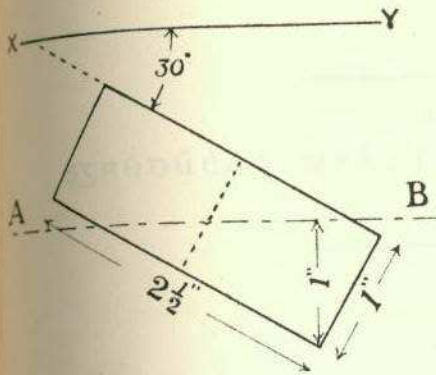
*Or,*

Draw a design to suit a square of eight-inch side. A border up to a width of half an inch and consisting of straight lines only may or may not be added outside the square. The design may be based on Celtic ornament, or on natural forms ornamentally treated.

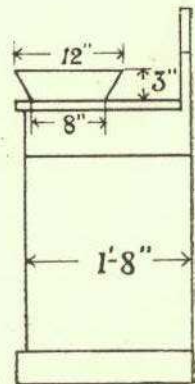
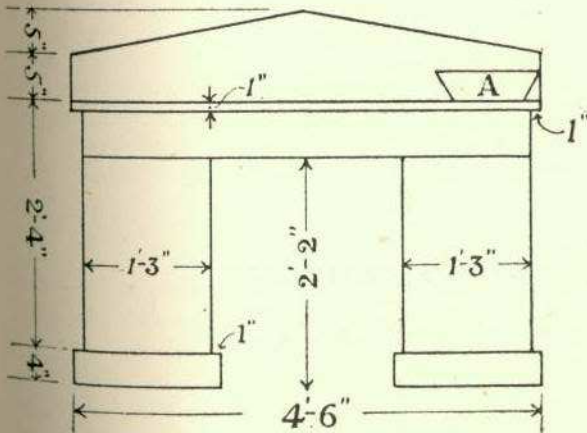
Q2.



Q3.



Q4.



Q5.